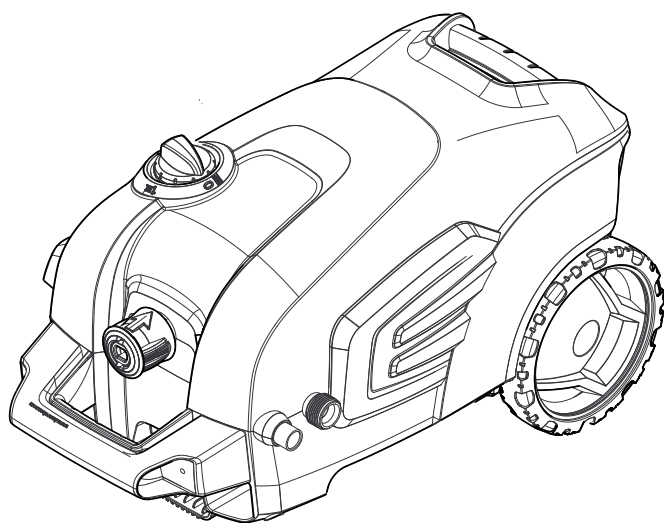


K 4.200

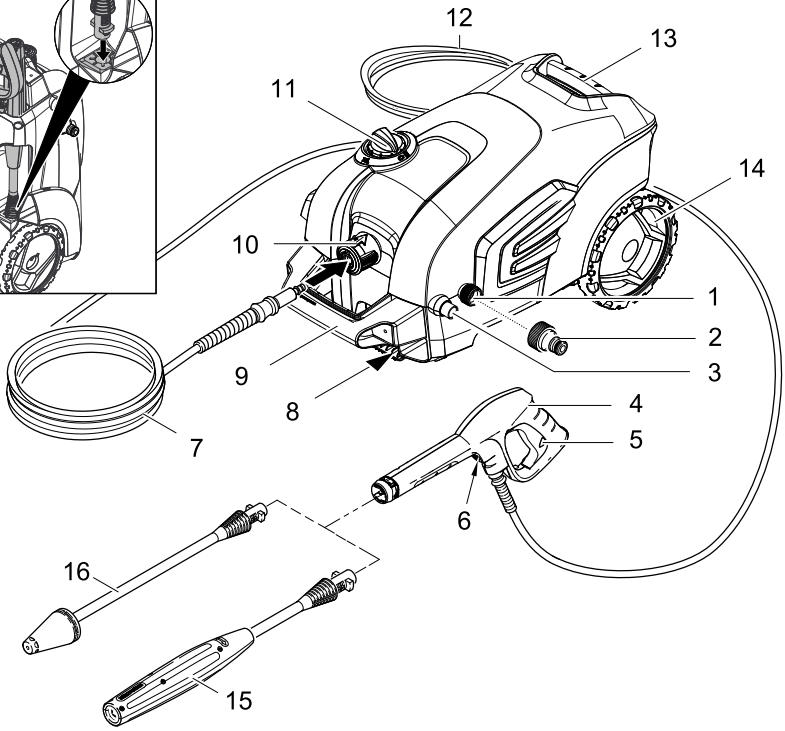
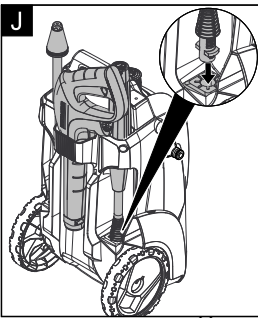
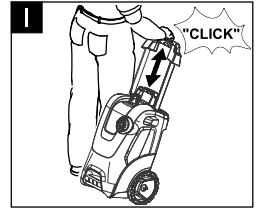
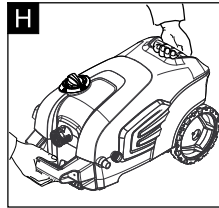
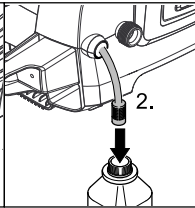
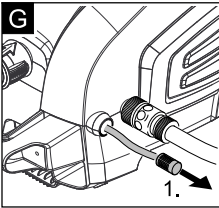
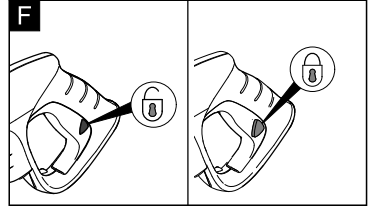
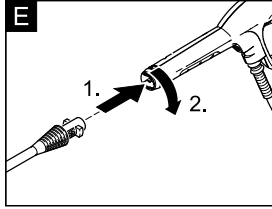
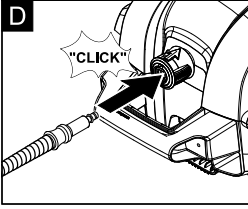
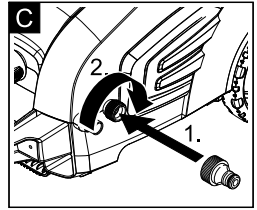
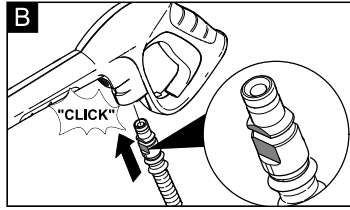
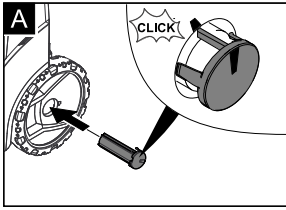


中文 3

English 10



59645900 (04/12)



目录

一般事项	3
安全说明	4
操作说明	5
运输	7
储存	8
保养与维护	8
故障排除	9
产品规格 / 参数	9

一般事项

亲爱的客户：



在您初次使用本产品前，请仔细阅读本说明书，并请妥善保存以便日后查阅。

恰当的使用

本高压清洗机仅供家庭及个人使用。

- 利用高压水喷射方式（需要时使用清洁剂），清洗机器、车辆、建筑物表面、阳台、花坛装备等。
- 请使用凯驰认可的附件产品、备用零部件和清洁剂。请参考清洁剂包装上相应的说明部分。

设备上的符号

- 高压喷嘴使用不当会带来危险。喷嘴不得对准人、动物、带电电气设备或设备本身。
- 可能会损坏！设备（水平）放下时，方可操作。
- 保护本设备防止霜冻。



说明书中的符号

⚠ 危险

即刻引发威胁的危险，致使身体严重伤害或死亡。

⚠ 警告

潜藏的危险情况，可能致使身体严重伤害或死亡。

注意

潜藏的危险情况，可能致使身体轻微伤害或损伤。

环境保护



包装材料可以回收利用。请不要把包装材料与普通垃圾放在一起处理，而应妥善安排回收。



旧的设备中含有宝贵的可再利用的材料，应加以回收利用。请通过适当的收集系统处理您的旧设备。

质量保证

我们的质量保证条款适用于全球各分公司。在质量保证期内，如果您的产品发生了任何故障，我们都将为您提供免费维修，但是这种故障应当是由于机身材料或制造上的缺陷造成的。请您向经销商或者与您距离最近的经过授权的客户服务中心联系，提出保修请求，并提供相应的产品购买证明文件。

（地址详见背面。）

安全说明

⚠ 危险

- 请勿用湿手接触插头和插座。
- 请勿使用损伤的电源线和重要部件（例：高压软管、喷射装置、安全装置等）。
- 每次运行前都要确认插头和电源线是否存在损坏。若存在损坏的电源线应立即让已授权的客户服务处 / 电气专业人员进行更换。
- 使用前确认高压软管是否破损。损伤的高压软管应立即更换。
- 禁止在存在爆炸危险的区域内运行本设备。
- 在危险区域（如：加油站）使用设备时应遵守相关的安全规定。
- 高压喷枪使用不当，会带来危险。不能对准人、动物、电器设备或者设备自身喷射。
- 高压水枪严禁对人或设备使用者本身进行衣物或鞋的清洗。
- 请勿喷向可能影响健康的危险物质（例：石棉）或物体。
- 在清洗汽车轮胎时，过高的压力可能会损坏轮胎和气门。轮胎褪色是第一个危险的信号，损坏的轮胎非常危险。在清洗轮胎时，请保持高压喷嘴最少 30 厘米的距离！
- 爆炸危险！
不得喷射可燃液体。
任何溶解性液体或没稀释的酸性物质和溶解剂不允许吸取！这些物质包括汽油、涂料稀释剂或燃料。这些物质的喷雾存在可燃性、爆炸性和毒性特质。请勿使用与丙酮没有稀释的酸性物质及溶解剂，因为可能造成本设备的损伤。

⚠ 警告

- 不论插头还是电源线（包括电源线延长线）都应当防水，勿浸入水中。
- 不适合的电源延长线可能产生危险。仅使用与本设备使用目的相符的带有电源线规格标识的室外用电源延长线。1 - 10 m: 1.5 mm²; 10 - 30 m: 2.5 mm²
- 总是将电缆卷轴中的电线充分展开。
- 高压水管及其接头等附件对清洗机安全很重要。仅使用由凯驰公司推荐的高压水管及其接头等配件。

- 必须确定设备不能由身体能力有限、感官能力弱或理解能力差的人员操作。儿童或未经指导的人员都不准操作本设备。
应照看好儿童，以确保他们不用设备玩耍。
- 让儿童远离包装薄膜，否则会有窒息危险！
- 本设备应使用凯驰公司制造或推荐的清洗剂。使用其它品牌的清洗剂或化学品可能会影响到高压清洗机的安全性。
- 操作者必须合理操作设备，注意周围环境和人员，尤其是儿童，以免造成危险。
- 在其他人员可能达到的距离内请勿使用本设备，除非穿有防护服。
- 请穿戴合适的防护服和防护镜，以防止使用时从被清洁物体表面溅出的水渍或污渍。

注意

- 可能会损坏！设备（水平）放下时，方可操作。
- 工作间歇或无人看管设备时，关闭总开关 / 设备开关或拔出电源插头。
- 设备不可在环境温度 0 度以下使用。
- 当您清洗有涂装的物体表面时，保持最小 30 厘米的喷射距离，以避免在涂装表面上造成损伤。
- 严禁设备无人状态下，无人看管。
- 需要注意的是，不得碾压、压挤、拖拽或通过诸如此类的行为而损坏电源连接线或延长线缆。避免热源、油或者锋利的刀刃从而保护电源线。
- 所有导电性物体严禁使用高压喷枪清洗。
- 本设备所连接的电源，必须按照国际电工委员会标准 (IEC-60634) 进行安装。
- 本设备只能连接交流电源。电压必须满足设备铭牌上的数据要求。
- 本着安全的原则，我们公司推荐本设备应通过漏电保护断路器（最大电流为 30 毫安）而使用。
- 对于会产生含油废水的清洁操作，例如清洗发动机、车身体底部等，可利用装有油类分离器的清洁装置来处理。

安全装置

注意

安全装置就是为了保护使用者，因此不允许随意改造或重组。

设备开关

设备开关是为了防止设备误启动。

安全制动装置

水枪枪柄上的安全制动装置可防止设备被误启动。

带压力开关的溢流阀

溢流阀阻碍压力超过允许的工作压力。

当松开手持喷枪的控制杆，压力开关关闭泵，高压喷射停止。拉上该杆，泵又被开启。

稳定性的必要条件

注意

使用设备或在设备上进行任何作业前要先确保设备的稳定性，以避免事故或故障发生。

→ 操作者应将设备放在平坦地面上。

操作说明

供货范围

设备的供货范围都已绘制在包装上。因此，打开包装时请检查产品是否齐全。如有附件缺失或在运输过程中损坏，请联系经销商。

设备说明

图片参见第 2 页

- 1 带有水过滤器的供水连接装置
- 2 管接头
- 3 带有过滤器的清洁剂抽吸软管
- 4 手持喷枪
- 5 喷枪枪柄上的安全装置
- 6 喷枪高压软管分离卡扣
- 7 高压软管
- 8 毛刷存储架
- 9 可拔下的运输手柄
- 10 高压软管的快速联轴节
- 11 产品开关“0/OFF” / “I/ON”
- 12 电源线
- 13 手柄
- 14 轮子
- 15 带旋转喷嘴的喷杆（可调）
- 16 带旋转喷嘴的喷杆

特殊附属配件

特殊附属配件的使用可延长设备的使用寿命。详细事项请联系凯驰公司或当地经销商。

设备运作前

图片参见第 2 页

图A

→ 使用随附的插塞固定轮子。正确地对准插塞！

图B

→ 插入喷枪软管直至发出声音时。

注意：接管应正确排列。

→ 拉高压软管以检查是否安全连接。

供水

根据相关法规，若没有系统分离器，不能使用该设备直接从饮水系统供水。请使用凯驰公司制造的合适的系统分离器。或使用符合 EN12729 BA 的合适的系统分离器。



注意

系统分离装置总是连接供水，而不要直接连接仪器！

注意：水中杂质可能损伤高压泵和部件。为防止此类状况，我们郑重推荐凯驰水过滤器（选配件，货号：4.730-059.0）。

主要水源

请遵从与供水相关的法规。

关于连接值，请参见铭牌 / 产品参数。

→ 使用带标准接头的纤维增强水软管（非标准配置）。（直径最小 1/2 英寸或最小 13 毫米；长度最短为 7.5 米）

图 9

- 将耦合单元拧到机器的水接头上。
- 将供水软管接到耦合单元上，然后将它连接到供水系统。

开放式容器供水

当高压清洗机装置配置凯驰带止回阀功能的吸水软管时，可以使用开放式容器（水桶，水池）内吸水工作。（最大吸取高度参考技术标准）

- 在配备止回阀的 KARCHER 吸取软管内注水后紧固连接部位后，悬挂天水桶。
- 从设备高压连接部位分离高压软管。
- 接通设备“I/ON”并等待（最多 2 分钟），直至流出高压接口的水没有气泡产生。
- 将设备设定为关闭“0/OFF”。

调试设备

注意

干运转（缺水）2 分钟以上会导致高压泵损坏。设备 2 分钟内没有压力形成，关闭设备并按照“故障帮助”一章内的提示进行操作。

图 10

→ 将高压软管牢固地插到清洁剂上的快速接头上，可以听到卡进去的声音。

注意：接管应正确排列。

拉高压软管以检查是否安全连接。

图 11

- 将喷头置入喷枪后成 90° 旋转固定。
- 完全打开水龙头。
- 插上电源插头。
- 将设备设定为“I/ON”。

设备运作

注意

可能会损坏！设备（水平）放下时，方可操作。

△ 危险

高压模式操作时，喷枪具有反作用力，请站稳立好。

图 12

- 释放喷枪上的安全装置。
- 握紧扳手启动设备。
注意：松开水枪扳手停止设备。高压残留于系统内。

调节压力喷头（压力可调）

适用于广泛的清洗作业中。作业压力：“最小”~“最大”- 不区别运作步骤。

- 松开水枪扳手。
- 旋转喷头至所需位置。

带旋转喷嘴喷杆

清除顽固污渍。

注意

不使用脏铣刀清洁汽车轮胎、油漆或敏感表面如木材，存在损坏的危险。
不能使用清洁剂。

使用清洁剂的清洗作业

每次使用本设备清洁时请只使用凯驰公司的清洁剂和护理液，因为它们是专门为您机器器开发研制的。如果使用其它清洁剂和护理液，则会加快磨损，我们也将因此取消质保。相关信息请咨询当地经销商或直接向凯驰公司垂询。

图 9

- 自机壳内拉出所需长度的洗涤剂吸取软管。
 - 将清洁剂抽取软管的一头放入盛有清洁剂瓶中。
 - 使用调节压力喷头（可变水压）。
 - 将旋转喷头设定为“Mix”。
- 注意：**由此，使用时清洗剂溶解物混入喷出的水柱之中。

推荐的清洗方法

- 在干燥的表面上少量喷射清洁剂，让清洁剂在表面发生反应，但不要使之变干。
- 利用高压喷射方式刷洗被溶解的杂质。

中断设备操作

- 松开水枪扳手。
- 图 10
推上喷枪上的安全装置。
- 如，长时间（5 分钟以上）运作中断时，将设备开关设定为“0/OFF”。

结束设备操作

注意

当系统中无可用压力，就要把高压软管从手持喷枪或设备上拆下来。

- 使用清洗剂清洗作业后，将喷枪杆取下，然后将清洁剂抽取软管悬挂进盛有清水的桶中，打开开关运行约一分钟，至喷枪中有清水流出即可。
 - 松开水枪扳手。
 - 将设备设定为关闭“0/OFF”。
 - 关闭水龙头。
 - 按压水枪扳手以除去在设备系统中残留的压力。
 - 自供水处分离设备。
- 注意：**分离进水管或高压软管时，在此操作后温水可从接口中流出。
- 推上喷枪上的安全装置。
 - 取下插头。

运输

注意

为了避免事故和伤害，搬运时要注意设备的重量（参见技术参数）。

手动搬运

图 11

- 握住手柄拉高并提起设备。

图 12

- 握住运输手柄拖动设备。

车辆运输

- 确保设备不会滑倒和倾覆。

储存

注意

为了避免事故和伤害，选择存放地点时要考虑到设备的重量（参见技术参数）。

设备储存

- 设备置放在平坦地面上。
- 按下手持喷枪上的分离按钮，高压软管从手持喷枪上分离开来。
- 高压软管的快速联轴节外壳往箭头方向按压并拔出高压软管。

图 1

- 妥善保管电源线、高压软管及其它配件等。

长期存放之前，如在冬季特别要注意维护一章的提示。

防霜冻

注意

保护设备及配件以防止霜冻。

在水没有完全排空的情况下，设备和附属品或许会因含霜而破损。为了避免损坏机器：

- 完全排空设备内的水：打开不带高压软管和供水连接装置的设备（最多 1 分钟），等待直至无水从高压连接部位出来时。关闭设备。
- 机器及所有附件应在防霜的室内保管。

保养与维护

⚠ 危险

在对设备进行维修与维护之前，必须关闭设备并拔下电源插头。

保养

在长期储存（如冬季）前：

- 取下清洁剂抽吸软管中的滤网并用流动的自来水清洗。
- 用尖嘴钳取下水接头中的滤网并用流动的自来水清洗。

维护

该设备免维护。

备件

请仅使用凯驰公司的原装备件。在本说明书后附有一份备件总览表。

故障排除

通过下面的简介，您可以纠正小的故障。

如有疑问，请联系凯驰公司授权的客户服务中心。

⚠ 危险

在对设备进行维修与维护之前，必须关闭设备并拔下电源插头。

只能由经过授权的客户服务中心维修。

设备不运作

- 检查电源电压必须跟型号标识上给出的电压一致。
- 检查电源线是否损伤。

设备压力不足

- 检查喷头的设定状态。
- 设备通风：将高压软管与手持喷枪断开。将设备打开（最长持续时间为 2 分钟）并等待直至水从高压软管出来时没有气泡。关闭设备并重新连接手持喷枪。
- 检查供水连接系统。
- 用尖嘴钳取下水接头中的滤网并用流动的自来水清洗。

巨大的压力变化

- 高压清洗：用针除去喷头孔处的杂物，再用水清洗。
- 检查供水连接系统。

设备漏水

- 在技术方面可能存在高压泵少许漏水的情况。漏水量较大时请联系本公司认可的客户服务中心。

无法吸取清洁剂

- 使用调节压力喷头（可变水压）。将旋转喷头设定为“Mix”。
- 清洗清洁剂抽吸软管的滤网。
- 检查清洁剂抽吸软管是否扭结。

产品规格 / 参数

电源连接

电压	220 V 1~50 Hz
----	------------------

输入功率	1,9 kW
------	--------

保护程度	IP X5
------	-------

保护等级	I
------	---

保险丝（慢断型）	10 A
----------	------

水接头

供水（最大）	0,8 MPa
--------	---------

进水温度（最高）	40 ° C
----------	--------

流量（最小）	9 升 / 分
--------	---------

最大吸取	0,5 m
------	-------

功率参数

工作压力	12 MPa
------	--------

最大允许压力	13 MPa
--------	--------

水流消耗	6,7 升 / 分
------	-----------

清洁剂剂消耗	0,3 升 / 分
--------	-----------

后挫力	15 N
-----	------

尺寸和重量

长度	516 毫米
----	--------

宽度	295 毫米
----	--------

高度	282 毫米
----	--------

重量	11,3 千克
----	---------

规格若有变更，恕不另行通知。

Contents

General information	10
Safety instructions	11
Operation	13
Transport	15
Storage	16
Maintenance and care	16
Troubleshooting	17
Technical specifications	17

General information

Dear Customer,



Please read and comply with these original instructions prior to the initial operation of your appliance and store them for later use or subsequent owners.

Proper Use

This high-pressure cleaner is designed for domestic use only:

- to clean machines, vehicles, buildings, tools, facades, terraces, garden equipment etc. using a high-pressure water jet (and detergents if required).
- with accessories, replacement parts and detergents approved by KÄRCHER. Observe the instructions provided with these detergents.

Symbols on the machine

- High-pressure jets can be dangerous if improperly used. The jet must not be directed at persons, animals, live electrical equipment or at the appliance itself.
- Risk of damage! The appliance must only be operated laying down (horizontal).
- Protect the appliance against frost.



Symbols in the operating instructions

Danger

Immediate danger that can cause severe injury or even death.

Warning

Possible hazardous situation that could lead to severe injury or even death.

Caution

Possible hazardous situation that could lead to mild injury to persons or damage to property.

Environmental protection



The packaging material can be recycled. Please do not place the packaging into the ordinary refuse for disposal, but arrange for the proper recycling.



Old appliances contain valuable materials that can be recycled. Please arrange for the proper recycling of old appliances. Please dispose your old appliances using appropriate collection systems.

Warranty

The warranty terms published by the relevant sales company are applicable in each country. We will repair potential failures of your appliance within the warranty period free of charge, provided that such failure is caused by faulty material or defects in manufacturing. In the event of a warranty claim please contact your dealer or the nearest authorized Customer Service centre. Please submit the proof of purchase. (See address on the reverse)

Safety instructions

⚠ Danger

- *Never touch the mains plug and the socket with wet hands.*
- *The appliance must not be used if the power cord or important parts of the appliance, e.g. high-pressure hoses, trigger gun or safety devices are damaged.*
- *Check the power cord and mains plug for damage before every use. If the power cord is damaged, please arrange for it to be replaced immediately by an authorised repair agent or a skilled electrician*
- *Check the high-pressure hose for damage before every use. Please arrange for the immediate replacement of a damaged high-pressure hose.*
- *The appliance may not be used in areas where a risk of explosion is present.*
- *If the appliance is used in hazardous areas (e.g. filling stations) the corresponding safety provisions must be observed.*
- *High-pressure jets can be dangerous if improperly used. The jet must not be directed at persons, animals, live electrical equipment or at the appliance itself.*
- *The high-pressure jet must not be directed at other persons or directed by the user at him/herself to clean clothing or footwear.*
- *Never use the appliance to clean objects containing hazardous substances (e.g. asbestos).*
- *Vehicle tyres or tyre valves are susceptible to damage from the high-pressure jet and may burst. The first indication of this is a discolouration of the tyre. Damaged vehicle tyres/tyre valves are highly dangerous. Ensure that a distance of at least 30 cm is observed when cleaning with the jet!*
- *Risk of explosion!
Do not spray flammable liquids.
Never draw in fluids containing solvents or undiluted acids and solvents! This includes petrol, paint thinner and heating*

oil. The spray mist thus generated is highly inflammable, explosive and poisonous. Do not use acetone, undiluted acids and solvents as they are damaging to the materials from which the appliance is made.

⚠ Warning

- *The mains plug and the coupling of an extension cable must be watertight and must never lay in the water.*
- *Unsuitable extension cables can be hazardous. Only use extension cables outdoors which have been approved for this purpose and labelled with a sufficient cable cross-section:
1 - 10 m: 1.5 mm²; 10 - 30 m: 2.5 mm²*
- *Always fully unroll electrical cables from the cable drum.*
- *High-pressure hoses, fixtures and couplings are important for the safety of the appliance. Only use high-pressure hoses, fixtures and couplings recommended by the manufacturer.*
- *This appliance is not intended for use by persons with reduced physical, sensory or mental capabilities.
The appliance must not be operated by children or persons who have not been instructed accordingly.
Children should be supervised to prevent them from playing with the appliance.*
- *Keep packaging film away from children - risk of suffocation!*
- *This appliance was designed to be used with detergents which are supplied or recommended by the manufacturer. The use of other detergents or chemicals may compromise the safety of the appliance.*
- *The operator must use the appliance correctly. When working with the appliance, he must consider the local conditions and pay due care and attention to other persons, in particular children, who are nearby.*
- *Do not use the appliance when there are other persons around unless they are also wearing safety equipment.*

- *Wear protective clothing and safety goggles to protect against splash back containing water or dirt.*

Caution

- *Risk of damage! The appliance must only be operated laying down (horizontal).*
- *In case of extended downtimes, switch the appliance off at the main switch / appliance switch or remove the mains plug.*
- *Do not operate the appliance at temperatures below 0 °C.*
- *Observe a distance of at least 30 cm when using the jet to clean painted surfaces to avoid damaging paintwork.*
- *Never leave the appliance unattended when it is in operation.*
- *Make sure that the power cable or extension cables are not damaged by running over, pinching, dragging or similar. Protect the power cable from heat, oil, and sharp edges.*
- *All current-conducting parts in the working area must be protected against jet water.*
- *The appliance may only be connected to an electrical supply which has been installed in accordance with IEC 60364.*
- *The appliance may only be connected to alternating current. The voltage must correspond with the type plate on the appliance.*
- *For safety reasons, we recommend that you operate the appliance only via a earth-leakage circuit breaker (max. 30 mA).*
- *Cleaning operations which produce oily waste water, e.g. engine washes, underbody washes, may only be carried out using washing stations equipped with an oil separator.*

Safety Devices

Caution

Safety devices protect the user and must not be modified or bypassed.

Power switch

The appliance switch prevents unintentional operation of the appliance.

Lock trigger gun

This lock locks the lever of the trigger gun and prevents the inadvertent start of the appliance.

Overflow valve with pressure switch

The overflow valve prevents the permissible working pressure from being exceeded. If the lever on the trigger gun is released the pressure switch turns off the pump, the high-pressure jet is stopped. If the lever is pulled the pump is turned on again.

Prerequisites for the appliance's stability

Caution

Create stability for the appliance prior to all work on or with the appliance to prevent accidents or damage.

- The stability of the appliance is warranted when it is placed onto an even surface.

Operation

Scope of delivery

The scope of delivery of your appliance is illustrated on the packaging. Check the contents of the appliance for completeness when unpacking.

In the event of missing accessories or any transport damage, please contact your dealer.

Description of the Appliance

Illustrations on Page 2

- 1 Water connection with integrated sieve
- 2 Coupling element for water connection
- 3 Detergent suction hose (with sieve)
- 4 Trigger gun
- 5 Lock trigger gun
- 6 Key to detach the high pressure hose from the trigger gun
- 7 High pressure hose
- 8 Storage for accessories
- 9 Transport handle, detachable
- 10 Quick coupling for high pressure hose
- 11 Appliance switch "0/OFF"/ „I/ON“
- 12 Mains cable with mains plug
- 13 Carrying handle
- 14 Wheels
- 15 Spray lance with pressure regulation (Vario Power)
- 16 Spray lance with Dirtblaster

Special accessories


Special accessories expand the possibilities of using your appliance. Please contact your KÄRCHER dealer for further information.

Before Startup

Illustrations on Page 2

Illustration 

- ➔ Secure the wheels using the included plug. Align the plug properly!

Illustration 

- ➔ Push the high pressure hose into the trigger gun until it locks audibly.
Note: Make sure the connection nipple is aligned correctly.
- ➔ Check the secure connection by pulling on the high pressure hose.

Water supply

According to the applicable regulations, the appliance must never be used on the drinking water supply without a system separator. Use a suitable system separator manufactured by KÄRCHER; or, as an alternative, a system separator as per EN 12729 Type BA. Water flowing through a system separator is considered non-drinkable.



Caution

Always connect the system separator to the water supply, never directly to the appliance!

Note: Impurities in the water can damage the high-pressure pump and accessories. For protection, the use of the KÄRCHER water filter (optional accessory, order no. 4.730-059) is recommended.

Water supply from mains

Observe regulations of water supplier. For connection values, see type plate/technical data.

- ➔ Use a fibre-reinforced water hose (not included) with a standard coupling. (Minimum diameter 1/2 inch (13 mm), minimum length 7.5 m).

Illustration 

- ➔ Screw the coupling element to the water connection on the appliance.
- ➔ Push the water supply hose onto the coupling unit, then connect it to the water supply.

Drawing in water from open reservoirs

This high-pressure cleaner is suited to work with the KÄRCHER suction hose with backflow valve (Optional accessory, order no. 4.440-238) to draw in surface water, e.g. from water butts or ponds (see specifications for max. suction height).

- ➔ Fill the KÄRCHER suction hose with backflow valve with water, screw to water supply and hang into the water butt.
- ➔ Separate the high pressure hose from the high pressure connection of the appliance.
- ➔ Switch the appliance on (I/ON) for a max. of 2 minutes and wait until the wa-

ter exits the high-pressure connection without bubbles.

- Turn off the appliance "0/OFF".

Start up

Caution

Dry runs lasting longer than two minutes lead to damages to the high pressure pump. If the appliance does not build up pressure within two minutes, switch it off and proceed as instructed in the Chapter "Troubleshooting".

Illustration 

- Insert the high pressure hose tightly into the quick coupling on the appliance, it will lock in audibly.

Note: Make sure the connection nipple is aligned correctly.

Check the secure connection by pulling on the high pressure hose.

Illustration 

- Push the spray lance into the trigger gun and fasten it by turning it through 90°.
- Completely open the water tap.
- Insert the mains plug into the socket.
- Turn on the appliance "I/ON".

Operation

Caution

Risk of damage! The appliance must only be operated laying down (horizontal).

Danger

The trigger gun is subjected to a recoil force when the water jet is discharged. Make sure that you have a firm footing and are also holding the trigger gun and spray lance firmly.

Illustration 

- Unlock the lever on the trigger gun.
- Pull on the lever of the trigger gun; the device will switch on.

Note: Release the lever of the trigger gun; the device will switch off again.

High pressure remains in the system.

Spray lance with pressure regulation

Carrying out the most common cleaning tasks. The work pressure can be stagelessly regulated between "Min" and "Max".

- Release the lever on the trigger gun.
- Turn the spray lance to the desired position.

Spray lance with Dirtblaster

For particularly dirty items or areas.

Caution

Car tyres, paint or sensitive surfaces such as wood should not be cleaned with the dirt blaster, as there is a risk of damage.

Not suitable for use with detergents.

Working with detergent

Please use exclusively KÄRCHER detergents and care products to carry out the respective cleaning task, as these were specifically developed for your appliance.

The use of other detergents and care products may lead to premature wear and can invalidate your warranty claims. Please obtain information at your local dealer or request information directly from KÄRCHER.


Illustration 

- Pull detergent suction hose as far as is required out of the housing.
- Suspend end of detergent suction hose in a container filled with detergent.
- Use spray lance with pressure regulation (Vario Power).
- Turn the spray lance to "Mix" position.
Note: This will mix the detergent with the water stream.

Recommended cleaning method

- Spray the detergent sparingly on the dry surface and allow it to react, but not to dry.
- Spray off loosened dirt with the high-pressure jet.

Interrupting operation

- Release the lever on the trigger gun.
- Illustration  Lock the lever on the trigger gun.
- During longer breaks (more than 5 minutes), also turn the appliance off using the "0/OFF" switch.

Finish operation

Caution

Only separate the high-pressure hose from the trigger gun or the appliance while there is no pressure in the system.

- After working with detergent, suspend detergent suction hose in a container filled with clear water, switch the appliance on for around 1 minute once the spray lance has been removed and rinse until water runs clear.
- Release the lever on the trigger gun.
- Turn off the appliance "0/OFF".
- Turn off tap.
- Press the lever on the trigger gun to release any remaining pressure in the system.
- Detach the appliance from the water supply.

Caution: When disconnecting the supply or high pressure hose, warm water may leak from the connections after operation.

- Lock the lever on the trigger gun.
- Pull out the mains plug.

Transport

Caution

In order to prevent accidents or injuries, keep in mind the weight of the appliance during transport (see Specifications).

When transporting by hand

Illustration 

- Lift appliance by the carrying handle and carry it.

Illustration 

- Pull the appliance by its transport handle.

When transporting in vehicles

- Secure the appliance against shifting and tipping over.

Storage

Caution

In order to prevent accidents or injuries, keep in mind the weight of the appliance when selecting a storage location for it (see Specifications).

Storing the Appliance

- Park the machine on an even surface.
- Press the disconnect on the hand spray gun and remove the high pressure hose from the hand spray gun.
- Push the casing of the quick coupling for the high pressure hose toward the rear and disconnect the high pressure hose from the appliance.

Illustration

- Stow away the mains cable, the high-pressure hose and accessory at the appliance.

Prior to extended storage periods, as during the winter, also observe the instructions in the Care section.

Frost protection

Caution

Protect the appliance and its accessories against frost.

The appliance and its accessories can get destroyed through frost if there are any water residues in them. To avoid damage to them:

- Completely drain all water from the appliance: Switch the appliance on with detached high-pressure hose and detached water supply (max. 1 minute) and wait, until no more water exits at the high-pressure connection. Turn off the appliance.
- Store the appliance and the entire accessories in a frost-safe room.

Maintenance and care

Danger

Turn off the appliance and remove the mains plug prior to any care and maintenance work.

Care

Prior to longer periods of storage, e.g. in the winter:

- Remove filter from suction hose for detergent and clean under running water.
- Pull out the sieve in the water connection using flat-nose pliers and clean under running water.

Maintenance

The appliance is maintenance-free.

Spare parts

Use only original KÄRCHER spare parts. You will find a list of spare parts at the end of these operating instructions.

Troubleshooting

You can rectify minor faults yourself with the help of the following overview.

If in doubt, please consult the authorized customer service.

⚠ Danger

Turn off the appliance and remove the mains plug prior to any care and maintenance work.

Repair works may only be performed by the authorized customer service.

Appliance is not running

- Check whether the voltage indicated on the type plate corresponds to the voltage of the mains supply.
- Check the mains connection cable for damages.

Pressure does not build up in the appliance

- Check setting at the spray lance.
- Appliance ventilation: Disconnect the high pressure hose from the hand spray gun. Switch the appliance on (for a max. of 2 minutes) and wait until the water exits at the high pressure hose without bubbles. Switch off appliance and reconnect hand spray gun.
- Check the water supply.
- Pull out the sieve in the water connection using flat-nose pliers and clean under running water.

Strong pressure fluctuations

- Clean high-pressure nozzle: Remove dirt and debris from the nozzle bore, using a needle and rinse through with water from the front.
- Check water flow quantity.

Appliance is leaking

- Slight leakage from the appliance pump is normal. If the leakage increases contact the authorized customer service.

No detergent infeed

- Use spray lance with pressure regulation (Vario Power).
Turn the spray lance to "Mix" position.
- Clean the detergent suction hose filter.
- Check the detergent suction hose for kinks.

Technical specifications

Electrical connection

Voltage	220 V 1~50 Hz
Connected load	1,9 kW
Protection class	IP X5
Protective class	I
Mains fuse (slow-blow)	10 A

Water connection

Max. feed pressure	0,8 MPa
Max. feed temperature	40 °C
Min. feed volume	9 l/min
Max. Suction height	0,5 m

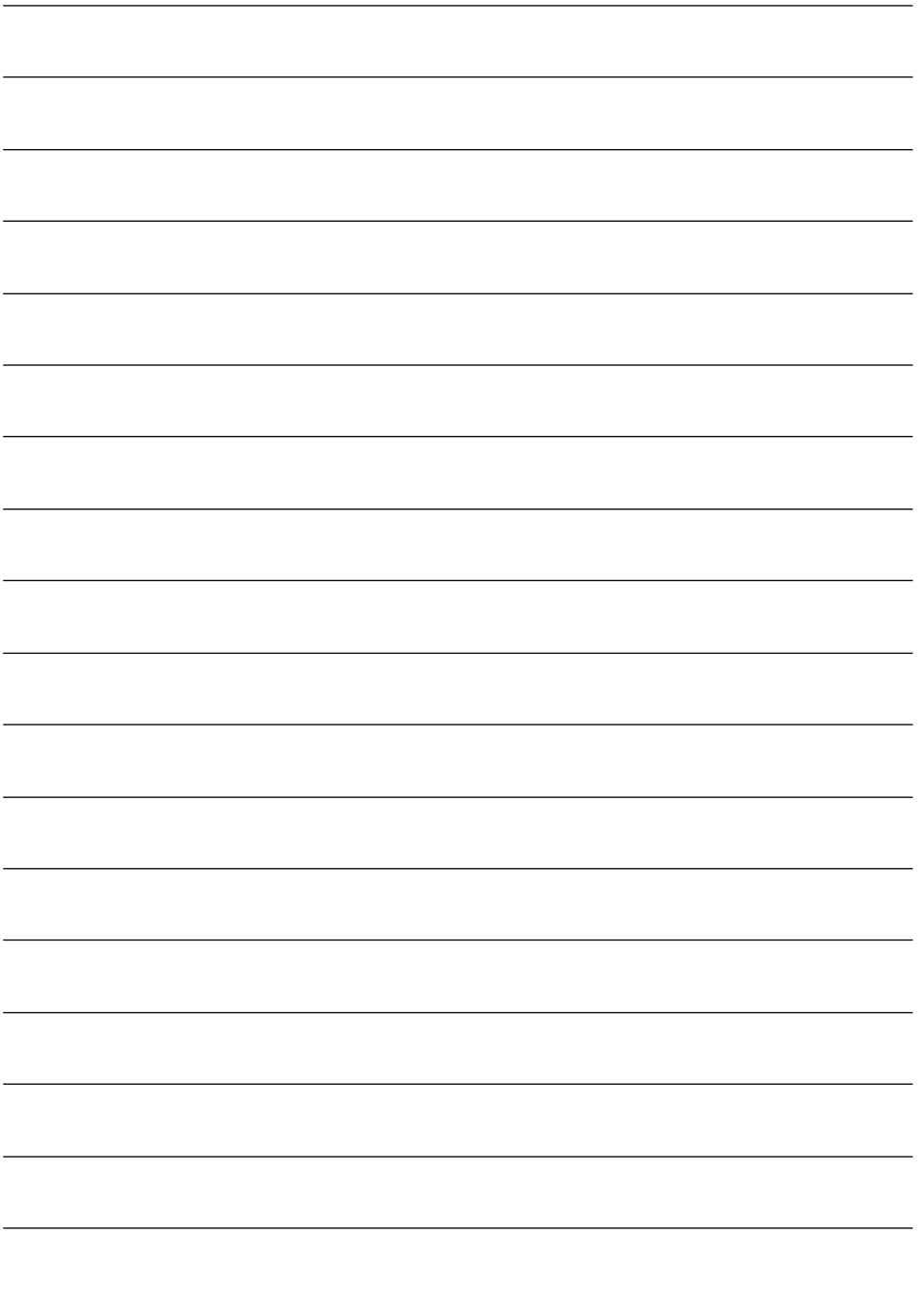
Performance data

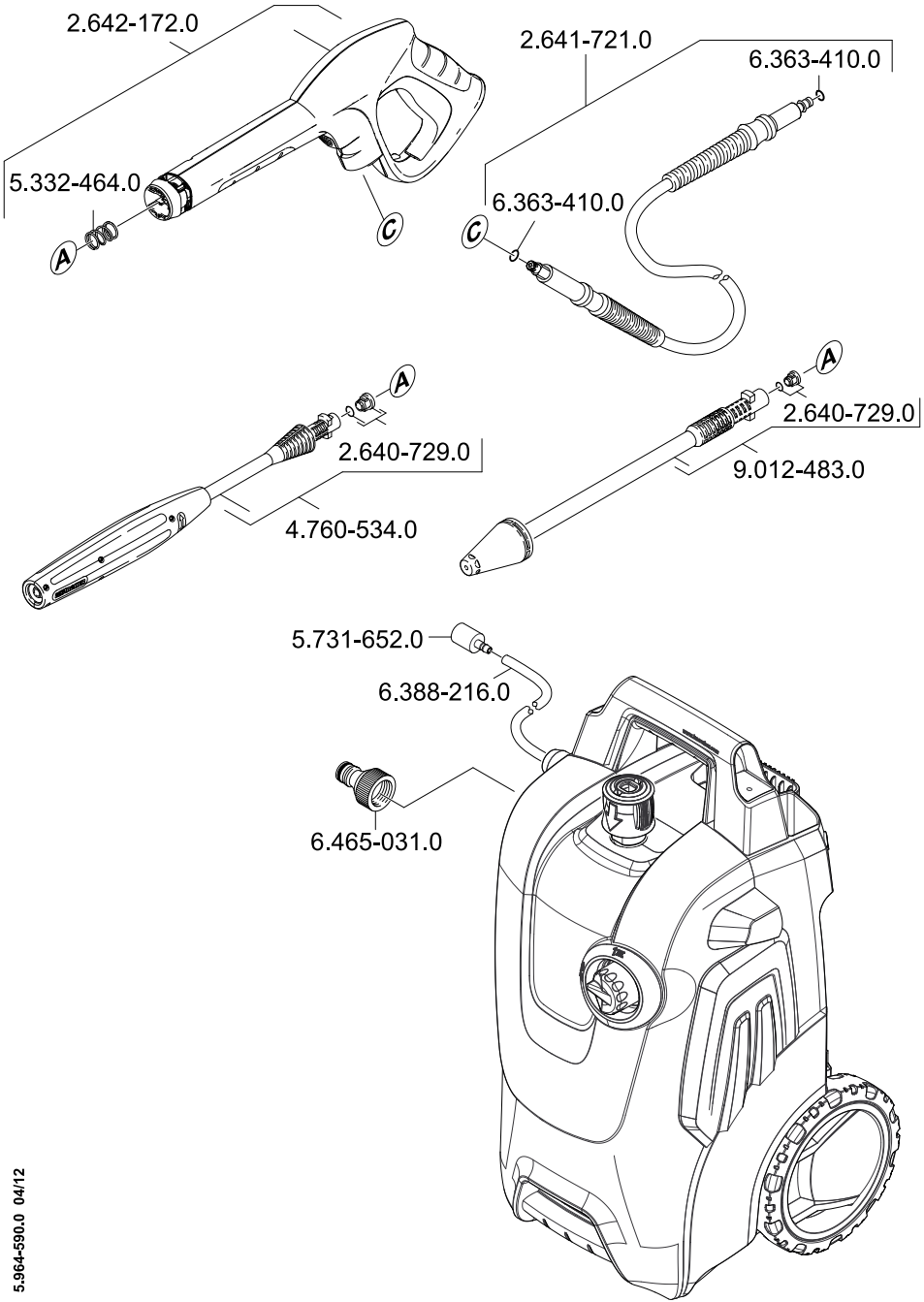
Working pressure	12 MPa
Max. permissible pressure	13 MPa
Water flow rate	6,7 l/min
Detergent flow rate	0,3 l/min
Recoil force of trigger gun	15 N

Dimensions and weights

Length	516 mm
Width	295 mm
Height	282 mm
Weight	11,3 kg

Subject to technical modifications!





A

Alfred Kärcher Ges.m.b.H.
Lichtblaustraße 7
1220 Wien
☎ (01) 250 600

AUS

Kärcher Pty. Ltd.
40 Koornang Road
Scoresby VIC 3179
☎ (03) 9765 - 2300

B / LUX

Kärcher N.V.
Industrieweg 12
2320 Hoogstraten
☎ B: 0900 10027
LUX: 0032 900 10027

BR

Kärcher Indústria e Comércio Ltda.
Av. Prof. Benedito Montenegro 419
CEP 13.140-000 - Paulínia - SP
☎ 0800 176 111

CDN

Kärcher Canada Inc.
6975 Creditview Road Unit #2
Mississauga, Ontario L5N 8E9
☎ 1-800-465-4980

CH

Kärcher AG
Industriestraße 16
8108 Dällikon
☎ 0844 850 863

CZ

Kärcher spol s r.o.
Modletice č.p. 141
251 01 Říčany u Prahy
☎ 0323 606 014

D

Alfred Kärcher GmbH & Co. KG
Service-Center Gissigheim
Im Gewerbegebiet 2
97953 Königheim-Gissigheim
☎ (07195) 903 2065

DK

Kärcher Rengøringsystemer A/S
Gejlhøvedgård 5
6000 Kolding
☎ 70 206 667

E

Kärcher S.A.
Pol. Industrial Font del Radium
Calle Doctor Trueta 6-7
08400 Granollers (Barcelona)
☎ 902 170 068

F

Kärcher S.A.S.
5 Avenue des Coquelicots
Z.A. des Petits Carreaux
94865 Bonneuil-sur-Marne
☎ (01) 43 996 770

FIN

Kärcher OY
Yrittäjätie 17
01800 Klaukkala
☎ 0207 413 600

GB

Kärcher(UK) Limited
Kärcher House
Beaumont Road
Banbury
Oxon, OX16 1TB
☎ 01295 752 200

GR

Kärcher Cleaning Systems A.E.
31-33, Nikitara str. &
Konstantinoupoleos str.
13671 Acharnes
☎ 210 - 2316 153

H

Kärcher Hungária Kft
Tormásrét ut. 2.
2051 Biatorbágy
☎ (023) 530 640

HK

Kärcher Limited
Unit 10, 17/F.
APEC Plaza
49 Hoi Yuen Road
Kwun Tong, Kowloon
☎ (02) 357-5863

I

Kärcher S.p.A.
Via A.Vespucci 19
21013 Gallarate (VA)
☎ 848 - 99 88 77

IRL

Kärcher Ltd
C1 Centrepoint Business Park
Oak Road
Dublin 12
☎ (01) 409 7777

KOR

Kärcher (Korea) Co. Ltd.
162 Gukhoe-daero
(872-2 Sinjeong-Dong)
Seoul, Korea
☎ 02-322-6588, A/S.1544-6577

MAL

Kärcher Cleaning Systems Sdn. Bhd.
No. 8, Jalan Serindit 2
Bandar Puchong Jaya
47100 Puchong, Selangor
☎ (03) 5882 1148

MEX

Kärcher México, SA de CV
Av. Gustavo Baz No. 29-C
Col. Naucalpan Centro
Naucalpan, Edo. de México
C.P. 53000 México
☎ 01 800 024 13 13

N

Kärcher AS
Stanseveien 31
0976 Oslo
☎ 24 17 77 00

NL

Kärcher BV
Postbus 474
4870 AL Etten-Leur
☎ 0900-33 444 33

NZ

Kärcher Limited
12 Ron Driver Place
East Tamaki, Auckland
☎ (09) 274-4603

P

NEOPARTS II - Equipamentos, S.A.
Av. Infante D. Henrique, Lote 35
1800-218 Lisboa
☎ 21 8558300

PL

Kärcher Sp. z o.o.
Ul. Stawowa 140
31-346 Kraków
☎ (012) 6397-222

PRC

Kärcher Cleaning Systems Co., Ltd.
Part B, Building 30,
No. 390 Ai Du Road
Shanghai Waigaoqiao 200131
☎ (021) 5046-3579

RO

Kärcher Romania s.r.l.
Sos. Odaii Nr. 439
013606 București
☎ 0372 709 001

RUS

ООО «Керхер», ул.
Электроставодская, д.27,
стр.2, 107023 Москва
☎ (495) 228 39 45

S

Kärcher AB
Tagenevägen 31
42502 Hisings-Kärä
☎ (031) 577-300

SGP

Kärcher Asia Pacific Pte. Ltd.
5 Toh Guan Road East
#01-00 Freight Links
Express Distripark
Singapore 608831
☎ 6897-1811

SK

Kärcher Slovakia, s.r.o.
Beniakova 2
94901 Nitra
☎ 037 6555 798

TR

Kärcher Servis Ticaret A.S.
Mahmutbey Mahallesi Istoc
Petrol Plaza C-Blok Kat: 2-3
Bagciilar / 34218 ISTANBUL
☎ 0212 659 43 69

TWN

Kärcher Limited
5F/6. No.7, Wu-Chuan 1st Rd
Wu-Ku Industrial Zone
Taipei County
☎ (02) 2299-9626

UA

Kärcher Ukraine
Kilzeva doroga, 9
03191, Kyiv
☎ (044) 594 75 75

UAE

Kärcher FZE
P.O. Box 17416
Jebel Ali Free Zone
Dubai, U.A.E.
☎ (04) 886 1177

USA

Alfred Kärcher, Inc
1270 Satellite Blvd
Suite 350
Duluth, GA 30097
☎ 678-935-4545; 877-527-2437

ZA

Kärcher (Pty.) Limited
144 Kuscheke Street
Meadowdale
Edenvale 1614
☎ (011) 574-5360



KÄRCHER®

www.kärcher.com