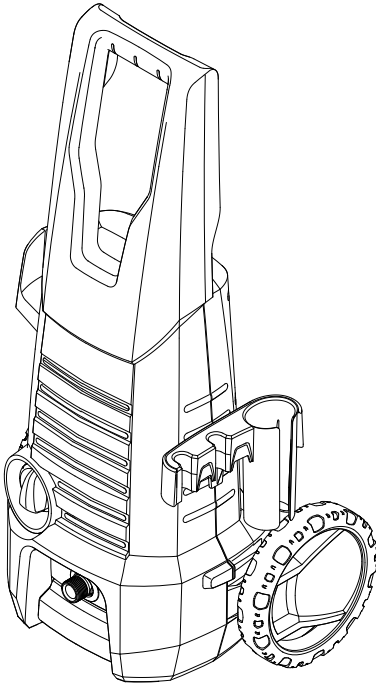


K 2.360

 **KÄRCHER**[®]



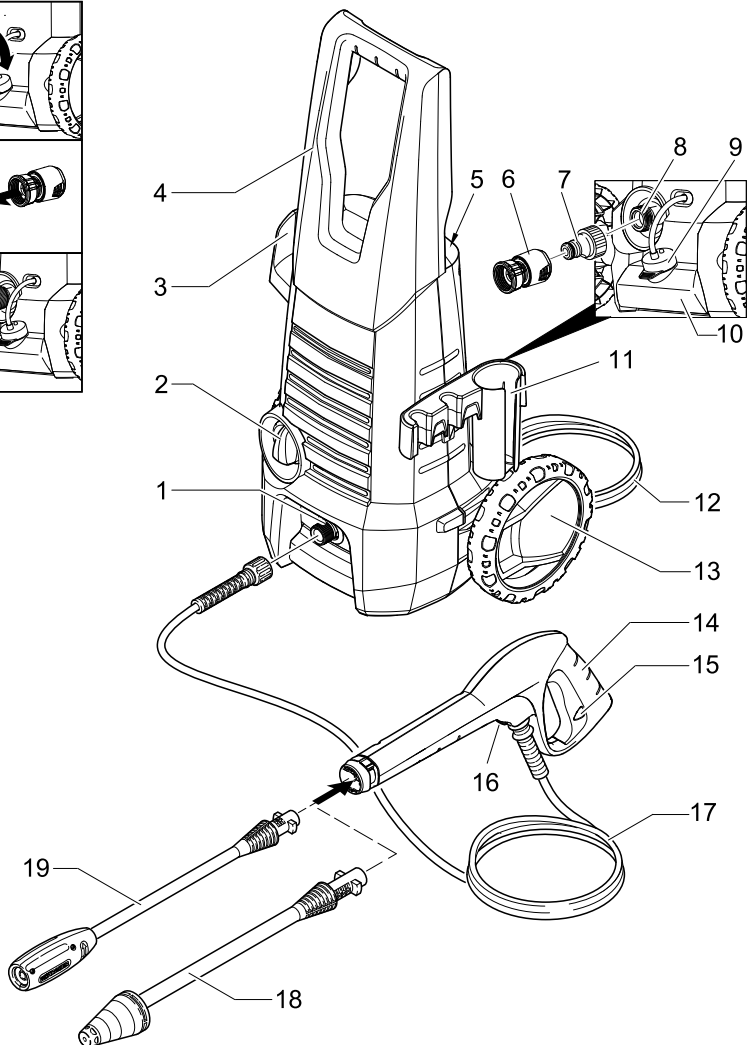
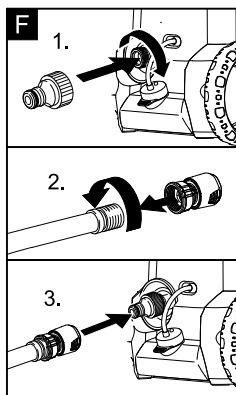
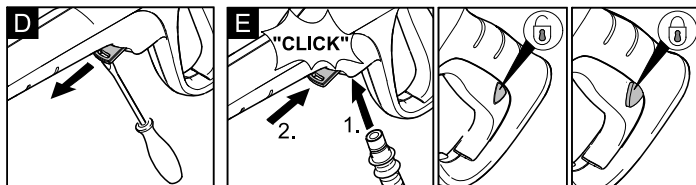
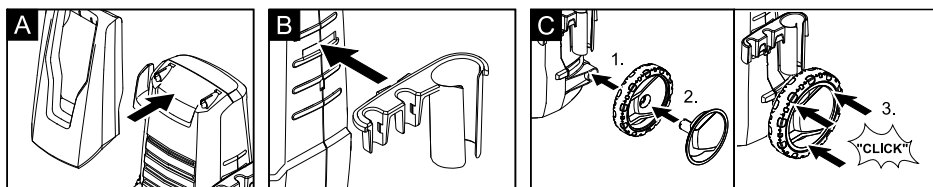
English 3

Español 11

Français 19



5.964-156.0 02/11



Contents

General information	3
Safety instructions	4
Operation	6
Transport	8
Storage	8
Maintenance and care	9
Troubleshooting	9
Technical specifications	10

General information

Dear Customer,



Please read and comply with these original instructions prior to the initial operation of your appliance and store them for later use or subsequent owners.

Proper Use

This high-pressure cleaner is designed for domestic use only:

- to clean machines, vehicles, buildings, tools, facades, terraces, garden equipment etc. using a high-pressure water jet (and detergents if required).
- with accessories, replacement parts and detergents approved by KÄRCHER. Observe the instructions provided with these detergents.

Environmental protection



The packaging material can be recycled. Please do not place the packaging into the ordinary refuse for disposal, but arrange for the proper recycling.



Old appliances contain valuable materials that can be recycled. Please arrange for the proper recycling of old appliances. Please dispose your old appliances using appropriate collection systems.

Warranty

The warranty terms published by the relevant sales company are applicable in each country. We will repair potential failures of your appliance within the warranty period free of charge, provided that such failure is caused by faulty material or defects in manufacturing. In the event of a warranty claim please contact your dealer or the nearest authorized Customer Service centre. Please submit the proof of purchase.

Symbols in the operating instructions

Danger

Immediate danger that can cause severe injury or even death.

Warning

Possible hazardous situation that could lead to severe injury or even death.

Caution

Possible hazardous situation that could lead to mild injury to persons or damage to property.

Symbols on the machine



The high pressure jet may not be directed at persons, animals, live electrical equipment or at the appliance itself. Protect the appliance against frost.

Safety instructions

⚠ Danger

- Never touch the mains plug and the socket with wet hands.
- The appliance must not be used if the power cord or important parts of the appliance, e.g. high-pressure hoses, trigger gun or safety devices are damaged.
- Check the power cord and mains plug for damage before every use. If the power cord is damaged, please arrange for it to be replaced immediately by an authorised repair agent or a skilled electrician
- Check the high-pressure hose for damage before every use. Please arrange for the immediate replacement of a damaged high-pressure hose.
- The appliance may not be used in areas where a risk of explosion is present.
- If the appliance is used in hazardous areas (e.g. filling stations) the corresponding safety provisions must be observed.
- High-pressure jets can be dangerous if improperly used. The jet must not be directed at persons, animals, live electrical equipment or at the appliance itself.
- The high-pressure jet must not be directed at other persons or directed by the user at him/herself to clean clothing or footwear.
- Never use the appliance to clean objects containing hazardous substances (e.g. asbestos).
- Vehicle tyres or tyre valves are susceptible to damage from the high-pressure jet and may burst. The first indication of this is a discolouration of the tyre. Damaged vehicle tyres/tyre valves are highly dangerous. Ensure that a distance of at least 30 cm is observed when cleaning with the jet!
- Risk of explosion!
Do not spray flammable liquids.
Never draw in fluids containing solvents or undiluted acids and solvents! This includes petrol, paint thinner and heating

oil. The spray mist thus generated is highly inflammable, explosive and poisonous. Do not use acetone, undiluted acids and solvents as they are damaging to the materials from which the appliance is made.

⚠ Warning

- The mains plug and the coupling of an extension cable must be watertight and must never lay in the water.
- Unsuitable extension cables can be hazardous. Only use extension cables outdoors which have been approved for this purpose and labelled with a sufficient cable cross-section:
1 - 10 m: 1.5 mm²; 10 - 30 m: 2.5 mm²
- Always fully unroll electrical cables from the cable drum.
- High-pressure hoses, fixtures and couplings are important for the safety of the appliance. Only use high-pressure hoses, fixtures and couplings recommended by the manufacturer.
- This appliance is not intended for use by persons with reduced physical, sensory or mental capabilities.
The appliance must not be operated by children or persons who have not been instructed accordingly.
Children should be supervised to prevent them from playing with the appliance.
- Keep packaging film away from children - risk of suffocation!
- This appliance was designed to be used with detergents which are supplied or recommended by the manufacturer. The use of other detergents or chemicals may compromise the safety of the appliance.
- The operator must use the appliance correctly. When working with the appliance, he must consider the local conditions and pay due care and attention to other persons, in particular children, who are nearby.
- Do not use the appliance when there are other persons around unless they are also wearing safety equipment.

Safety Devices

Caution

Safety devices protect the user and must not be modified or bypassed.

Power switch

The appliance switch prevents unintentional operation of the appliance.

Lock trigger gun

This lock locks the lever of the trigger gun and prevents the inadvertent start of the appliance.

Overflow valve with pressure switch

The overflow valve prevents the permissible working pressure from being exceeded. If the lever on the trigger gun is released the pressure switch turns off the pump, the high-pressure jet is stopped. If the lever is pulled the pump is turned on again.

Prerequisites for the appliance's stability

Caution

Create stability for the appliance prior to all work on or with the appliance to prevent accidents or damage.

- The stability of the appliance is warranted when it is placed onto an even surface.

- *Wear protective clothing and safety goggles to protect against splash back containing water or dirt.*

Caution

- *In case of extended downtimes, switch the appliance off at the main switch / appliance switch or remove the mains plug.*
- *Do not operate the appliance at temperatures below 0 °C.*
- *Observe a distance of at least 30 cm when using the jet to clean painted surfaces to avoid damaging paintwork.*
- *Never leave the appliance unattended when it is in operation.*
- *Make sure that the power cable or extension cables are not damaged by running over, pinching, dragging or similar. Protect the power cable from heat, oil, and sharp edges.*
- *All current-conducting parts in the working area must be protected against jet water.*
- *The appliance may only be connected to an electrical supply which has been installed in accordance with IEC 60364.*
- *The appliance may only be connected to alternating current. The voltage must correspond with the type plate on the appliance.*
- *For safety reasons, we recommend that you operate the appliance only via a earth-leakage circuit breaker (max. 30 mA).*
- *Cleaning operations which produce oily waste water, e.g. engine washes, underbody washes, may only be carried out using washing stations equipped with an oil separator.*

Operation

Scope of delivery

The scope of delivery of your appliance is illustrated on the packaging. Check the contents of the appliance for completeness when unpacking.

In the event of missing accessories or any transport damage, please contact your dealer.

Description of the Appliance

Illustrations on Page 2

- 1 High pressure connection
- 2 Appliance switch "0/OFF"/„1/ON“
- 3 Storage for high-pressure hose
- 4 Transport handle
- 5 Storage for spray lance
- 6 Garden hose connector (female)
- 7 Water inlet connector
- 8 Water inlet (with water inlet filter)
- 9 Suction hose for detergent
- 10 Detergent Tank
- 11 Storage for trigger gun
- 12 Mains cable with mains plug
- 13 Bearing wheel
- 14 Trigger gun
- 15 Lock trigger gun
- 16 Clamp for high pressure hose
- 17 High pressure hose
- 18 Spray lance with Dirtblaster
- 19 Spray lance with pressure regulation (Vario Power)

Special accessories

Special accessories expand the possibilities of using your appliance. Please contact your KÄRCHER dealer for further information.

Before Startup

Mount loose parts delivered with appliance prior to start-up.

Illustrations on Page 2

- Illustration **A**
- Insert the transport handle.
- Illustration **B**
- Insert holder for trigger gun.
- Illustration **C**
- Insert the transport wheels and lock them.
- Attach the wheel caps.
- Illustration **D**
- Pull out the clamp for the high-pressure hose from the trigger gun (e.g. a small screwdriver).
- Illustration **E**
- Connect high pressure hose to trigger gun.
- Push the clamp in until it locks. Check the secure connection by pulling on the high-pressure hose.

Water supply

Note: Impurities in the water can damage the high-pressure pump and accessories. For protection, the use of the KÄRCHER water filter (optional accessory, order no. 4.730-059) is recommended.

Water supply from mains

Observe regulations of water supplier. For connection values, see type plate/technical data.

Caution

Garden hose (not included) must be at least 1/2 inch or 5/8 inch in diameter, minimum length 7.5 m.

- Illustration **F**
- 1 Screw the supplied coupling element to unit's water inlet.
 - 2 Screw the supplied garden hose connector on to the end of your garden hose.
 - 3 Push the garden hose connector on to the water inlet connector and make sure you hear it click into place before proceeding.
- Connect garden hose to the cold water source and turn water on completely.

Start up

Caution

Dry runs lasting longer than two minutes lead to damages to the high pressure pump. If the appliance does not build up pressure within two minutes, switch it off and proceed as instructed in the Chapter "Troubleshooting".

- ➔ Connect the high pressure hose to the high pressure connection of the appliance.
- ➔ Push the spray lance into the trigger gun and fasten it by turning it through 90°.
- ➔ Completely open the water tap.
- ➔ Insert the mains plug into the socket.
- ➔ Turn on the appliance "I/ON".

Operation

Only use equipment for less than 15 minutes continual.

Danger

The trigger gun is subjected to a recoil force when the water jet is discharged. Make sure that you have a firm footing and are also holding the trigger gun and spray lance firmly.

- ➔ Unlock the lever on the trigger gun.
- ➔ Pull on the lever of the trigger gun; the device will switch on.

Note: Release the lever of the trigger gun; the device will switch off again. High pressure remains in the system.

Spray lance with pressure regulation

Carrying out the most common cleaning tasks. The work pressure can be stagelessly regulated between "Min" and "Max".

- ➔ Release the lever on the trigger gun.
- ➔ Turn the spray lance to the desired position.

Spray lance with Dirtblaster

For particularly dirty items or areas. Not suitable for use with detergents.

Working with detergent

Please use exclusively KÄRCHER detergents and care products to carry out the respective cleaning task, as these were specifically developed for your appliance. The use of other detergents and care products may lead to premature wear and can invalidate your warranty claims. Please obtain information at your local dealer or request information directly from KÄRCHER.

- ➔ Fill the detergent solution in the detergent tank (observe dosage instructions on the packaging of the detergent).
 - ➔ Use spray lance with pressure regulation (Vario Power).
 - ➔ Turn the spray lance to "Mix" position.
- Note:** This will mix the detergent with the water stream.

Recommended cleaning method

- ➔ Spray the detergent sparingly on the dry surface and allow it to react, but not to dry.
- ➔ Spray off loosened dirt with the high-pressure jet.

Interrupting operation

- ➔ Release the lever on the trigger gun.
- ➔ Lock the lever on the trigger gun.
- ➔ During longer breaks (more than 5 minutes), also turn the appliance off using the "0/OFF" switch.
- ➔ Insert the trigger gun in its holder.

Finish operation

Caution

Only separate the high-pressure hose from the trigger gun or the appliance while there is no pressure in the system.

- After operation with detergent: Fill the detergent tank with clear water, turn the spray lance with pressure regulator to the position "Mix", switch the appliance on for about 1 minute and rinse with clear water.
- Release the lever on the trigger gun.
- Turn off the appliance "0/OFF".
- Turn off tap.
- Detach the appliance from the water supply.
- Press the lever on the trigger gun to release any remaining pressure in the system.
- Lock the lever on the trigger gun.
- Pull out the mains plug.

Transport

Caution

In order to prevent accidents or injuries, keep in mind the weight of the appliance during transport (see Specifications).

When transporting by hand

- Pull the appliance by its transport handle.

When transporting in vehicles

- Empty detergent tank.
- Secure the appliance against shifting and tipping over.

Storage

Caution

In order to prevent accidents or injuries, keep in mind the weight of the appliance when selecting a storage location for it (see Specifications).

Storing the Appliance

Prior to extended storage periods, as during the winter, also observe the instructions in the Care section.

- Park the machine on an even surface.
- Insert the trigger gun in its holder.
- Stow away the mains cable, the high-pressure hose and accessory at the appliance.

Frost protection

Caution

Protect the appliance and its accessories against frost.

The appliance and its accessories can get destroyed through frost if there are any water residues in them. To avoid damage to them:

- Completely drain all water from the appliance: Switch the appliance on with detached high-pressure hose and detached water supply (max. 1 minute) and wait, until no more water exits at the high-pressure connection. Turn off the appliance.
- Store the appliance and the entire accessories in a frost-safe room.

Maintenance and care

⚠ Danger

Turn off the appliance and remove the mains plug prior to any care and maintenance work.

Care

Prior to longer periods of storage, e.g. in the winter:

- Remove filter from suction hose for detergent and clean under running water.
- Pull out the sieve in the water connection using flat-nose pliers and clean under running water.

Maintenance

The appliance is maintenance-free.

Spare parts

Use only original KÄRCHER spare parts. You will find a list of spare parts at the end of these operating instructions.

Troubleshooting

You can rectify minor faults yourself with the help of the following overview. If in doubt, please consult the authorized customer service.

⚠ Danger

Turn off the appliance and remove the mains plug prior to any care and maintenance work.

Repair works may only be performed by the authorized customer service.

Appliance is not running

- Pull on the lever of the trigger gun; the device will switch on.
- Check whether the voltage indicated on the type plate corresponds to the voltage of the mains supply.
- Check the mains connection cable for damages.

Pressure does not build up in the appliance

- Check setting at the spray lance.
- Appliance ventilation: Switch the appliance on with the high-pressure hose detached and operate (max. 2 minutes) until the water exits the high-pressure connection without bubbles. Switch off appliance and reconnect high-pressure hose.
- Check the water supply.
- Pull out the sieve in the water connection using flat-nose pliers and clean under running water.

Strong pressure fluctuations

- Clean high-pressure nozzle: Remove dirt and debris from the nozzle bore, using a needle and rinse through with water from the front.
- Check water flow quantity.

Appliance is leaking

- Slight leakage from the appliance pump is normal. If the leakage increases contact the authorized customer service.

No detergent infeed

- Use spray lance with pressure regulation (Vario Power). Turn the spray lance to "Mix" position.
- Clean the detergent suction hose filter.
- Check the detergent suction hose for kinks.

Technical specifications

Electrical connection

Voltage	110 V 1~50 Hz
---------	------------------

Power consumption	13 A
-------------------	------

Protection class	IP X5
------------------	-------

Protective class	II
------------------	----

Water connection

Max. feed temperature	104 °F
-----------------------	--------

Feed pressure	30-170 psi
---------------	------------

Min. feed volume	2 gpm
------------------	-------

Performance data

Max. permissible pressure	1300 psi
---------------------------	----------

Water flow rate	1.5 gpm
-----------------	---------

Detergent flow rate	0.1 gpm
---------------------	---------

Dimensions and weights

Length	258 mm
--------	--------

Width	328 mm
-------	--------

Height	661 mm
--------	--------

Weight	4.7 kg
--------	--------



Subject to technical modifications!

Índice de contenidos

Indicaciones generales	11
Indicaciones de seguridad	12
Manejo	14
Transporte.	16
Almacenamiento	16
Cuidados y mantenimiento	17
Ayuda en caso de avería	17
Datos técnicos	18

Indicaciones generales

Estimado cliente:

  Antes del primer uso de su aparato, lea este manual original, actúe de acuerdo a sus indicaciones y guárdelo para un uso posterior o para otro propietario posterior.

Uso previsto

Utilice esta limpiadora de alta presión, exclusivamente, en el ámbito doméstico:

- para limpiar máquinas, vehículos, edificios, herramientas, fachadas, terrazas, herramientas de jardín, etc. con un chorro de agua de alta presión (en caso necesario, mediante el uso adicional de detergentes).
- con los accesorios, repuestos y detergentes autorizados por KÄRCHER. Tenga en cuenta las indicaciones que incluyen los detergentes.

Protección del medio ambiente



Los materiales de embalaje son reciclables. Po favor, no tire el embalaje a la basura doméstica; en vez de ello, entréguelo en los puntos oficiales de recogida para su reciclaje o recuperación.



Los aparatos viejos contienen materiales valiosos reciclables que deberían ser entregados para su aprovechamiento posterior. Por este motivo, entregue los aparatos usados en los puntos de recogida previstos para su reciclaje.

Garantía

En todos los países rigen las condiciones de garantía establecidas por nuestra empresa distribuidora. Las averías del aparato serán subsanadas gratuitamente dentro del periodo de garantía, siempre que se deban a defectos de material o de fabricación. En un caso de garantía, le rogamos que se dirija con el comprobante de compra al distribuidor donde adquirió el aparato o al servicio al cliente autorizado más próximo a su domicilio.

Símbolos del manual de instrucciones

Peligro

Para un peligro inminente que acarrea lesiones de gravedad o la muerte.

Advertencia

Para una situación que puede ser peligrosa, que puede acarrear lesiones de gravedad o la muerte.

Precaución

Para una situación que puede ser peligrosa, que puede acarrear lesiones leves o daños materiales.

Símbolos en el aparato



No dirija el chorro de alta presión hacia personas, animales, equipamiento eléctrico activo, ni apunte con él al propio aparato. Proteger el aparato de las heladas.

Indicaciones de seguridad

⚠ Peligro

- No toque nunca el enchufe de red o la toma de corriente con las manos mojadas.
- No ponga el aparato en funcionamiento si el cable de conexión a red u otras partes importantes del aparato, como pueden ser la manguera de alta presión, la pistola pulverizadora o los dispositivos de seguridad presentan daños.
- Antes de cada puesta en servicio, compruebe si el cable de conexión a red y el enchufe de red presentan daños. Si el cable de conexión a red estuviera deteriorado, debe encargar sin demora a un electricista especializado del servicio de atención al cliente autorizado que lo sustituya.
- Antes de cada puesta en servicio, compruebe si la manguera de alta presión presenta daños. Si la manguera de alta presión presentase daños, debe sustituirla sin demora.
- Está prohibido usar el aparato en zonas en las que exista riesgo de explosiones.
- Para usar el aparato en zonas con peligro de explosión (p. ej., gasolineras) son de obligado cumplimiento las normas de seguridad correspondientes.
- Los chorros a alta presión pueden ser peligrosos si se usan indebidamente. No dirija el chorro hacia personas, animales o equipamiento eléctrico activo, ni apunte con él al propio aparato.
- No dirija el chorro hacia otras personas o hacia sí mismo para limpiar ropa o calzado.
- No rocíe objetos que puedan contener sustancias nocivas para la salud (p. ej., asbesto).
- El chorro a alta presión puede dañar los neumáticos del vehículo y sus válvulas y los puede reventar. Un primer síntoma de que se están provocando daños es el cambio de tonalidad de los neumáticos. Los neumáticos de vehículo y

las válvulas de neumáticos deteriorados suponen un peligro mortal. Al efectuar la limpieza, aplique el chorro a una distancia mínima de 30 cm.

- Peligro de explosiones
No pulverizar ningún líquido inflamable. No aspire nunca líquidos que contengan disolventes o ácidos y disolventes sin diluir. Entre estos se encuentran, p. ej., la gasolina, los diluyentes cromáticos o el fuel. La neblina pulverizada es altamente inflamable, explosiva y tóxica. No utilice acetona ni ácidos o disolventes sin diluir, ya que pueden afectar negativamente a los materiales empleados en el aparato.

⚠ Advertencia

- El enchufe y acoplamiento del cable de prolongación deben ser impermeables y no deben sumergirse en agua.
- El uso de cables de prolongación inadecuados puede resultar peligroso. Para el exterior, utilice sólo cables prolongadores autorizados para exterior, adecuadamente marcados y con una sección de cable suficiente: 1 - 10 m: 1,5 mm²; 10 - 30 m: 2.5 mm²
- Desenrolle siempre totalmente el cable de prolongación del tambor del cable.
- Las mangueras de alta presión, la grifería y los acoplamientos son importantes para la seguridad del aparato. Utilice sólo las mangueras de alta presión, la grifería y los acoplamientos recomendados por el fabricante.
- Este aparato no es apto para ser utilizado por personas con capacidades físicas, sensoriales e intelectuales limitadas.
Los niños o las personas no instruidas sobre su uso no deben utilizar el aparato.
Se debe supervisar a los niños para asegurarse de que no juegan con el aparato.
- Mantener alejado el plástico del embalaje de los niños, se pueden ahogar.
- Este aparato ha sido concebido para el uso con los detergentes suministrados

por el fabricante o recomendados por el mismo. La utilización de otros detergentes o sustancias químicas puede menoscabar la seguridad del aparato.

- El usuario deberá utilizar el aparato de conformidad con sus instrucciones. Deberá tener en cuenta las condiciones locales y tener cuidado de no causar daños a las personas que se encuentren en las proximidades cuando use el aparato.
- No utilizar el aparato cuando se encuentren otras personas al alcance a no ser que lleven ropa protectora.
- Póngase ropa y gafas protectoras adecuadas para protegerse de las salpicaduras de agua y de la suciedad.

Precaución

- Para pausas de operación prolongadas desconecte el aparato del interruptor principal / interruptor del aparato o desenchufe la clavija de red.
- No se puede operar el aparato a temperaturas inferiores a 0 °C.
- Para evitar daños, mantenga el chorro a una distancia mínima de 30 cm durante la limpieza de superficies pintadas.
- No deje nunca el aparato sin vigilancia mientras esté en funcionamiento.
- Debe tener cuidado de no dañar ni estropear el cable de conexión a red y el cable de prolongación por pisarlos, aplastarlos, tirar de ellos, u otras acciones similares. Proteja los cables de red del calor, el aceite y los bordes afilados.
- Todas las partes conductoras de corriente de la zona de trabajo tienen que estar protegidas contra los chorros de agua.
- El aparato sólo debe estar conectado a una conexión eléctrica que haya sido realizada por un electricista de conformidad con la norma CEI 60364.
- Conecte el aparato únicamente a corriente alterna. La tensión tiene que corresponder a la indicada en la placa de características del aparato.

- Por razones de seguridad, recomendamos utilizar el aparato siempre con un interruptor de corriente por defecto (máx. 30 mA).
- Los trabajos de limpieza que producen aguas residuales que contienen aceite (p. ej., el lavado de motores o el lavado de los bajos) sólo se deben realizar en zonas de lavado que dispongan de separador de aceite.

Dispositivos de seguridad

Precaución

Los dispositivos de seguridad sirven para proteger al usuario y no se deben modificar o ignorar.

Interruptor del aparato

El interruptor del aparato impide el funcionamiento involuntario del mismo.

Bloqueo de la pistola pulverizadora manual

El bloqueo bloquea la palanca de la pistola pulverizadora manual e impide que el aparato se ponga en marcha de forma involuntaria.

Válvula de derivación con presostato

La válvula de derivación evita sobrepasar la presión de trabajo permitida.

Cuando se suelta la palanca de la pistola pulverizadora manual, un presostato desconecta la bomba y el chorro de alta presión se para. Cuando se acciona la palanca, se conecta la bomba nuevamente.

Requisitos para la seguridad de posición

Precaución

Antes de realizar cualquier trabajo con el aparato o en el aparato, asegúrese de que está bien posicionado para evitar accidentes o daños.

- La posición segura del aparato se garantiza si se coloca sobre una superficie lisa.

Manejo

Volumen del suministro

El contenido de suministro de su aparato está ilustrado en el embalaje. Verifique durante el desembalaje que no falta ninguna pieza.

En caso de detectar que faltan accesorios o o que han surgido daños durante el transporte, informe a su distribuidor.

Descripción del aparato

Ilustraciones, véase la página 2

- 1 Conexión de alta presión
- 2 Interruptor del aparato „0/OFF“ / „1/ON“
- 3 Zona de recogida para la manguera de alta presión
- 4 Mango para el transporte
- 5 Zona de recogida para la lanza dosificadora
- 6 Conector para manguera de jardín (female)
- 7 Pieza de acoplamiento para la conexión de agua
- 8 Conexión de agua con filtro
- 9 Manguera de aspiración para detergente
- 10 Depósito de detergente
- 11 Zona de recogida para pistola pulverizadora manual
- 12 Cable de conexión a red y enchufe de red
- 13 Rueda de transporte
- 14 Pistola pulverizadora manual
- 15 Bloqueo de la pistola pulverizadora manual
- 16 Grapa para manguera de alta presión
- 17 Manguera de alta presión
- 18 Lanza de agua con fresadora de suciedad
- 19 Lanza dosificadora con regulación de la presión (Vario Power)

Accesorios especiales

Los accesorios especiales amplían las posibilidades de uso del aparato. Su distribuidor KÄRCHER le dará información más detallada.

Antes de la puesta en marcha

Antes de la puesta en marcha montar las piezas sueltas suministradas con el aparato.

Ilustraciones, véase la página 2

Figura

→ Insertar mango de transporte.

Figura

→ Insertar la zona de recogida para la pistola pulverizadora manual.

Figura

→ Insertar y encajar las ruedas de transporte.

→ Fijar los tapacubos.

Figura

→ Extraer la grapa para la manguera de alta presión de la pistola pulverizadora manual (p. ej. con un destornillador).

Figura

→ Introducir la manguera de alta presión en la pistola pulverizadora manual.

→ Presionar la grapa hacia dentro hasta que se encaje. Comprobar si la conexión es segura tirando de la manguera de alta presión.

Suministro de agua

Nota: Las impurezas en el agua pueden dañar la bomba de alta presión y los accesorios. Como medida de protección se recomienda el uso del filtro de agua de KÄRCHER (accesorio especial, Ref.:4.730-059).

Suministro de agua desde la tubería de agua

Tenga en cuenta las normas de la empresa suministradora de agua.

Valores de conexión: véase la placa de características/datos técnicos.

Precaución

La manguera de agua (no está incluida en el volumen de suministro) tiene que tener al menos 1/2" (13 mm) pulgadas de diámetro, longitud mínima 7,5 m.

→ Figura

1 Atornille la pieza de acoplamiento a la conexión de agua del aparato suministrada.

- 2 Enroscar el conector de manguera suministrado al extremo de su manguera de jardín.
 - 3 Empujar el conector de la manguera de jardín al conector de la toma de agua y asegúrese de oír el clic cuando encaje antes de seguir.
- Conecte la manguera de jardín a la toma de agua fría y abra el agua del todo.

Puesta en marcha

Precaución

La marcha en seco durante más de 2 minutos produce daños en la bomba de alta presión. Si el aparato no genera presión en un lapso de 2 minutos, desconectar el aparato y proceder según las indicaciones del capítulo "Averías".

- Unir la manguera de alta presión con la conexión de alta presión del aparato.
- Inserte la lanza dosificadora en la pistola pulverizadora manual y fijela girándola 90°.
- Abrir totalmente el grifo del agua.
- Enchufar la clavija de red a una toma de corriente.
- Conectar el aparato „I/ON“.

Funcionamiento

No se emplee el equipo por mas de 15 minutos continuos.

⚠ Peligro

El chorro de agua que sale de la boquilla de alta presión provoca una fuerza de retroceso en la pistola pulverizadora manual. Asegúrese de estar en una posición segura y sujete con firmeza la pistola pulverizadora manual y la lanza dosificadora.

- Desbloquear la palanca de la pistola pulverizadora manual.
- Tirar de la palanca, el aparato se enciende.

Nota: Si no se suelta la palanca, el aparato vuelve a apagarse. La alta presión se mantiene en el sistema.

Lanza dosificadora con regulación de la presión (Vario Power)

Para las tareas de limpieza más habituales. La presión de trabajo se puede regular en pasos entre „Min“ y „Max“.

- Suelte la palanca de la pistola pulverizadora manual.
- Girar la lanza dosificadora a la posición deseada.

Lanza dosificadora con fresadora de suciedad

Para las suciedades más difíciles de eliminar.

No apto para trabajar con detergentes.

Trabajo con detergentes

Utilice sólo detergentes y productos de limpieza KÄRCHER para cada tipo de tarea de limpieza. Han sido especialmente creados para su aparato. El uso de otros detergentes y productos de limpieza pueden provocar un desgaste más rápido y la invalidación de la garantía. Solicite el asesoramiento oportuno en una tienda especializada y pida la información correspondiente a KÄRCHER.

- Llenar el depósito de detergente con la solución de detergente (tener en cuenta las indicaciones de dosificación en el bidón de detergente).
- Utilizar la lanza dosificadora con regulación de la presión (Vario Power).
- Girar la lanza dosificadora hasta la posición "Mix".

Nota: De este modo se añade durante el funcionamiento la solución de detergente al chorro de agua.

Método de limpieza recomendado

- Rocíe la superficie seca con detergente y déjelo actuar pero sin dejar que se seque.
- Aplicar el chorro de agua a alta presión sobre la suciedad disuelta para eliminarla.

Interrupción del funcionamiento

- Suelte la palanca de la pistola pulverizadora manual.
- Bloquear la palanca de la pistola pulverizadora manual.

- Durante las pausas de trabajo prolongadas (de una duración superior a 5 minutos), desconectar además el aparato „0/OFF“.
- Insertar la pistola pulverizadora manual en la zona de recogida para pistolas pulverizadoras manuales.

Finalización del funcionamiento

Precaución

Separar la manguera de alta presión de la pistola pulverizadora manual o del aparato solamente cuando no haya presión en el sistema.

- Después de trabajar con detergentes: llene el depósito de detergente con agua limpia, girar la lanza dosificadora hasta la posición „Mix“, conectar el aparato aprox. 1 minuto y enjuagarlo.
- Suelte la palanca de la pistola pulverizadora manual.
- Desconectar el aparato "0/OFF".
- Cierre el grifo de agua.
- Desconectar el aparato del suministro de agua.
- Apriete la palanca de la pistola pulverizadora manual para eliminar la presión que todavía hay en el sistema.
- Bloquear la palanca de la pistola pulverizadora manual.
- Extraer el enchufe de la red.

Transporte

Precaución

Para evitar accidentes o lesiones, tener en cuenta el peso del aparato para el transporte (véase Datos técnicos).

Transporte manual

- Tirar del aparato por el asa de transporte.

Transporte en vehículos

- Vaciar el depósito de detergente.
- Asegurar el aparato para evitar que se deslice o vuelque.

Almacenamiento

Precaución

Para evitar accidentes o lesiones, tener en cuenta el peso del aparato al elegir el lugar de almacenamiento (véase Datos técnicos).

Almacenamiento del aparato

Antes de almacenar el aparato durante un período prolongado, como por ejemplo en invierno, respetar también las indicaciones del capítulo Cuidados.

- Coloque el dispositivo sobre una superficie plana.
- Insertar la pistola pulverizadora manual en la zona de recogida para pistolas pulverizadoras manuales.
- Guardar el cable de conexión de red, la manguera de alta presión y los accesorios en el aparato.

Protección antiheladas

Precaución

Proteger el aparato y los accesorios de las heladas.

El aparato y los accesorios sufren daños con las heladas, si no se vacía totalmente el agua. Para evitar daños:

- Vaciar totalmente el aparato, sacando todo el agua: conectar el aparato (máx. 1 min) con la manguera de alta presión y el suministro de agua desconectados, hasta que ya no salga agua de la conexión de alta presión. Desconectar el aparato.
- Almacenar el aparato en un lugar a prueba de heladas con todos los accesorios.

Cuidados y mantenimiento

⚠ Peligro

Apague el aparato y desenchufe la clavija de red antes de efectuar los trabajos de cuidado y mantenimiento.

Cuidado del aparato

Antes de un almacenamiento prolongado, p. e., durante el invierno:

- Quitar el filtro de la manguera de aspiración del detergente y limpiarlo colocándolo bajo agua corriente.
- Extraer el tamiz de la conexión del agua con unos alicates de punta plana y limpiarlo colocándolo bajo agua corriente.

Mantenimiento

El aparato no precisa mantenimiento.

Piezas de repuesto

Emplear únicamente repuestos originales de KÄRCHER. Al final de este manual de instrucciones encontrará un listado resumido de repuestos.

Ayuda en caso de avería

Usted mismo puede solucionar las pequeñas averías con ayuda del resumen siguiente.

En caso de duda, diríjase al servicio de atención al cliente autorizado.

⚠ Peligro

Apague el aparato y desenchufe la clavija de red antes de efectuar los trabajos de cuidado y mantenimiento.

Los trabajos de reparación y trabajos en componentes eléctricos sólo los puede realizar el Servicio técnico autorizado.

El aparato no funciona

- Tirar de la palanca de la pistola pulverizadora manual, el aparato se conecta.
- Comprobar si la tensión indicada en la placa de características coincide con la tensión de la fuente de alimentación.
- Comprobar si el cable de conexión a la red presenta daños.

El aparato no alcanza la presión necesaria

- Comprobar el ajuste de la lanza dosificadora.
- Purgar el aparato: conectar el aparato sin conectar la manguera de alta presión y esperar (máx. 2 minutos) hasta que salga el agua sin burbujas por la conexión de alta presión. Desconectar el aparato y volver a conectar la manguera de alta presión.
- Comprobar el suministro de agua.
- Extraer el tamiz de la conexión del agua con unos alicates de punta plana y limpiarlo colocándolo bajo agua corriente.

Grandes oscilaciones de la presión

- Limpiar la boquilla de alta presión: eliminar las impurezas del orificio de la boquilla con una aguja y aclarar con agua desde la parte delantera.
- Comprobar el caudal de agua.

El aparato presenta fugas

- El aparato presenta una ligera falta de estanqueidad por razones técnicas. En caso de que la falta de estanqueidad sea grande, contactar al Servicio técnico autorizado.

El aparato no aspira detergente

- Utilizar la lanza dosificadora con regulación de la presión (Vario Power). Girar la lanza dosificadora hasta la posición "Mix".
- Limpiar el filtro de la manguera de aspiración de detergente.
- Comprobar si la manguera de aspiración presenta dobleces.

Datos técnicos

Conexión eléctrica

Tensión	110 V 1~50 Hz
---------	------------------

Consumo de corriente	13 A
----------------------	------

Grado de protección	IP X5
---------------------	-------

Clase de protección	II
---------------------	----

Conexión de agua

Temperatura de entrada (máx.)	104 °F
----------------------------------	--------

Presión de entrada	30-170 psi
--------------------	------------

Velocidad de alimentación (mín.)	2 gpm
-------------------------------------	-------

Potencia y rendimiento

Presión máx. admisible	1300 psi
------------------------	----------

Caudal, agua	1.5 gpm
--------------	---------

Caudal, detergente	0.1 gpm
--------------------	---------

Medidas y pesos

Longitud	258 mm
----------	--------

Anchura	328 mm
---------	--------

Altura	661 mm
--------	--------

Peso	4,7 kg
------	--------

Reservado el derecho a realizar modificaciones técnicas.

Table des matières

Consignes générales	19
Consignes de sécurité	20
Utilisation	22
Transport	24
Entreposage	24
Entretien et maintenance	25
Assistance en cas de panne	25
Caractéristiques techniques	26

Consignes générales

Cher client,



Lire cette notice originale avant la première utilisation de votre appareil, se comporter selon ce qu'elle requiert et la conserver pour une utilisation ultérieure ou pour le propriétaire futur.

Utilisation conforme

Ce nettoyeur haute pression ne doit être utilisé que pour un usage privé:

- pour le nettoyage de machines, véhicules, bâtiments, outils, façades, terrasses, outils de jardinage etc. avec un jet d'eau sous pression (et si besoin en ajoutant des détergents).
- avec des accessoires, pièces de rechange et détergents homologués par Kärcher®. Veuillez respecter les consignes livrées avec les détergents.

Protection de l'environnement



Les matériaux constitutifs de l'emballage sont recyclables. Ne pas jeter les emballages dans les ordures ménagères, mais les remettre à un système de recyclage.



Les appareils usés contiennent des matériaux précieux recyclables lesquels doivent être apportés à un système de recyclage. Pour cette raison, utilisez des systèmes de collecte adéquats afin d'éliminer les appareils usés.

Garantie

Dans chaque pays, les conditions de garantie en vigueur sont celles publiées par notre société de distribution responsable. Les éventuelles pannes sur l'appareil sont réparées gratuitement dans le délai de validité de la garantie, dans la mesure où celles-ci relèvent d'un défaut matériel ou d'un vice de fabrication. En cas de recours en garantie, adressez-vous à votre revendeur ou au service après-vente agréé le plus proche munis de votre preuve d'achat.

Symboles utilisés dans le mode d'emploi

Danger

Pour un danger immédiat qui peut avoir pour conséquence la mort ou des blessures corporelles graves.

Avertissement

Pour une situation potentiellement dangereuse qui peut avoir pour conséquence des blessures corporelles graves ou la mort.

Attention

Pour une situation potentiellement dangereuse qui peut avoir pour conséquence des blessures légères ou des dommages matériels.

Symboles sur l'appareil



Le jet haute pression ne doit être dirigé ni sur des personnes ou des animaux, ni sur des installations électriques actives, ni sur l'appareil lui-même. Mettre l'appareil à l'abri du gel.

Consignes de sécurité

⚠ Danger

- *Ne jamais saisir la fiche secteur ni la prise de courant avec des mains humides.*
- *Ne jamais mettre l'appareil en service si le câble d'alimentation ou des pièces importantes de l'appareil, telles que par exemple le flexible haute pression, le poignée-pistolet ou les dispositifs de sécurité sont endommagés.*
- *Vérifier avant chaque utilisation que le câble d'alimentation et la fiche secteur ne sont pas endommagés. Un câble d'alimentation endommagé doit immédiatement être remplacé par le service après-vente ou un électricien agréé.*
- *Vérifier avant chaque utilisation que le flexible haute-pression n'est pas endommagé. Un flexible haute pression endommagé doit immédiatement être remplacé.*
- *Il est interdit d'utiliser l'appareil dans des zones présentant des risques d'explosion.*
- *Si l'appareil est utilisé dans des zones de danger (par exemple des stations essence), il faut tenir compte des consignes de sécurité correspondantes.*
- *Une utilisation incorrecte des jets haute pression peut présenter des dangers. Le jet ne doit pas être dirigé sur des personnes, animaux, installations électriques actives ni sur l'appareil lui-même.*
- *Ne jamais diriger le jet haute pression sur soi-même ni sur d'autres personnes dans le but de nettoyer les vêtements ou les chaussures.*
- *Ne jamais laver au jet des objets contenant des substances nocives (par exemple de l'amiante).*
- *Le jet haute pression risque d'endommager les pneus/valves de véhicules et les pneus risquent d'éclater. Le premier indice d'endommagement est une décoloration du pneu. Des pneus/valves*

de véhicules endommagés présentent des dangers de mort. Il faut toujours se tenir au moins à 30 cm des pièces pour les laver au jet !

■ **Risque d'explosion !**

Ne pas pulvériser de liquides inflammables.

Ne jamais aspirer des liquides contenant des solvants ni des acides ou des solvants non dilués, tels que par exemple de l'essence, du diluant pour peinture ou du fuel ! Le nuage de pulvérisation est extrêmement inflammable, explosif et toxique. Ne pas utiliser d'acétone, d'acides ni de solvants non dilués, du fait de leur effet corrosif sur les matériaux constituant l'appareil.

⚠ Avertissement

- *La fiche secteur et la fiche d'une rallonge doivent être étanches et ne doivent pas reposer dans l'eau.*
- *Des rallonges non adaptées peuvent présenter des risques. Utiliser à l'air libre uniquement des câbles de rallonge autorisées et marquées de façon adéquate avec une section suffisante du conducteur.
1 - 10 m : 1,5 mm²; 10 - 30 m : 2,5 mm²*
- *Toujours dérouler entièrement les rallonges de l'enrouleur de câble.*
- *Les flexibles haute pression, les robinets et les raccords sont importants pour la sécurité de l'appareil. N'utiliser que des flexibles haute pression, des robinets et des raccords recommandés par le fabricant.*
- *Cet appareil n'est pas destiné à être utilisé par des personnes avec des capacités physiques, sensorielles ou mentales restreintes.
L'appareil ne doit jamais être utilisé par des enfants ni par des personnes non avisées.
Les enfants doivent être surveillés pour s'assurer qu'ils ne jouent pas avec l'appareil.*
- *Tenir les films plastiques d'emballages hors de portée des enfants, risque d'étouffement !*

- Cet appareil a été conçu pour l'utilisation de détergents ayant été fournis ou recommandés par le fabricant. L'utilisation d'autres détergents ou d'autres produits chimiques peut nuire à la sécurité de l'appareil.
- L'utilisateur doit faire preuve d'un usage conforme de l'appareil. Il doit prendre en considération les données locales et lors du maniement de l'appareil, il doit prendre garde aux tierces personnes, et en particulier aux enfants.
- L'appareil ne doit jamais être utilisé si d'autres personnes figurent dans le rayon de portée de l'appareil, à moins que ces personnes ne portent des vêtements de protection.
- Pour se protéger contre les éclaboussures ou les poussières, porter le cas échéant des vêtements et des lunettes de protection.

Attention

- Lors des pauses d'exploitation prolongées, mettre l'appareil hors service au niveau du sectionneur général / de l'interrupteur d'appareil ou de la fiche secteur.
- Ne pas exploiter l'appareil à des températures inférieures à 0 °C.
- Une distance d'au moins 30 cm entre la lance et les surfaces peintes est nécessaire pour éviter tout endommagement.
- Ne jamais laisser l'appareil sans surveillance lorsqu'il est en marche.
- Veiller à ne pas abîmer ni endommager le câble d'alimentation ni le câble de rallonge en roulant dessus, en les coinçant ni en tirant violemment dessus. Protéger les câbles d'alimentation contre la chaleur, l'huile et les bords tranchants.
- Toutes les pièces conductrices dans la zone de travail doivent être protégées contre les jets d'eau.
- L'appareil doit uniquement être raccordé à un branchement électrique mis en service par un électricien conformément à la norme IEC 60364.

- L'appareil doit être raccordé uniquement au courant alternatif. La tension doit être identique avec celle indiquée sur la plaque signalétique de l'appareil.
- Pour des raisons de sécurité, nous recommandons fondamentalement que l'appareil soit exploité avec un disjoncteur de courant de défaut (max. 30 mA).
- Tous travaux de nettoyage produisant des eaux usées contenant de l'huile, par exemple un nettoyage de moteur ou de bas de châssis, doivent uniquement être effectués à des postes de lavage équipés d'un séparateur d'huile.

Dispositifs de sécurité

Attention

Le but des dispositifs de sécurité est de protéger l'utilisateur. Ils ne doivent en aucun cas être transformés ou désactivés.

Interrupteur principal

L'interrupteur principal empêche un fonctionnement involontaire de l'appareil.

Verrouillage poignée-pistolet

Le verrouillage verrouille le levier de la poignée-pistolet et empêche un démarrage non désiré de l'appareil.

Clapet de décharge avec pressostat

Le clapet de décharge évite un dépassement de la pression de service admissible.

Si vous relâchez la gâchette, la pompe est éteinte par un manoccontacteur, le jet haute pression est interrompu. Si vous appuyez à nouveau sur le levier, la pompe est remise en marche.

Conditions pour la stabilité

Attention

Avant d'effectuer toute opération avec ou sur le travail, en assurer la stabilité afin d'éviter tout accident ou tout endommagement.

- La stabilité de l'appareil est assurée lorsqu'il peut être posé sur une surface plane.

Utilisation

Contenu de livraison

L'étendue de la fourniture de votre appareil figure sur l'emballage. Lors du déballage, contrôler l'intégralité du matériel.

S'il manque des accessoires ou en cas de dommages imputables au transport, informer immédiatement le revendeur.

Description de l'appareil

Illustrations voir page 2

- 1 Raccord haute pression
- 2 Interrupteur principal "0/OFF" / "I/ON"
- 3 Support pour le flexible haute pression
- 4 Poignée de transport
- 5 Support pour la lance
- 6 Raccord pour tuyau d'arrosage (female)
- 7 Raccord pour l'arrivée d'eau
- 8 Arrivée d'eau avec tamis
- 9 Flexible d'aspiration pour le détergent
- 10 Réservoir de détergent
- 11 Support pour la poignée-pistolet
- 12 Câble d'alimentation secteur avec fiche secteur
- 13 Roulette de transport
- 14 Poignée-pistolet
- 15 Verrouillage poignée-pistolet
- 16 Agrafe pour le flexible haute pression
- 17 Flexible haute pression
- 18 Lance avec rotabuse
- 19 Lance avec réglage de la pression (Vario Power)

Accessoires en option

Les accessoires spéciaux élargissent le champ d'action de votre appareil. Vous trouverez de plus amples informations chez votre revendeur Kärcher®.

Avant la mise en service

Monter les pièces jointes en vrac à l'appareil avant la mise en service.

Illustrations voir page 2

Illustration **A**

→ Enfiler la poignée de transport.

Illustration **B**

→ Enfiler le support pour la poignée-pistolet.

Illustration **C**

→ Enfiler les roues de transport et les enclencher.

→ Fixer l'enjoliveur de roue.

Illustration **D**

→ Sortir l'agrafe pour le flexible haute pression sur la poignée-pistolet (par ex. avec un petit tournevis).

Illustration **E**

→ Enfiler le flexible haute pression dans les poignée-pistolet.

→ Enfoncer les agrafes jusqu'à ce qu'elles s'enclenchent. Contrôler que la connexion est bien fixée en tirant sur le flexible haute pression.

Alimentation en eau

Remarque : Des impuretés dans l'eau peuvent endommager la pompe haute pression et les accessoires. Il est recommandé d'utiliser le filtre à eau Kärcher® (accessoires spéciaux, référence : 4.730-059) à des fins de protection.

Raccordement à la conduite d'eau du réseau public

Respecter les prescriptions de votre société distributrice en eau.

Données de raccordement, voir plaque signalétique / caractéristiques techniques

Attention

Le tuyau d'eau (non livré) doit avoir un diamètre d'au moins 1/2" (13 mm) ou 5/8" (16 mm), longueur au moins 7,5 m.

→ Illustration **F**

1 Visser le raccord livré à l'arrivée d'eau de l'appareil.

2 Visser le tuyau de jardin fourni sur l'extrémité de votre tuyau de jardin.

3 Relier le tuyau de jardin au raccord d'arrivée d'eau et s'assurer qu'un clic audible soit perceptible, avant de continuer.

→ Raccorder le tuyau d'arrosage à la source d'eau froide et ouvrir complètement le robinet.

Mise en service

Attention

Une marche à sec de plus de 2 minutes entraîne des endommagements de la pompe haute pression. Si l'appareil n'établit pas de pression dans les deux minutes, le mettre hors service et procéder de la manière indiquée dans les instructions du chapitre "Aide en cas de défauts".

- Connecter le flexible haute pression avec le raccord haute pression de l'appareil.
- Raccorder la lance à la poignée-pistolet et la fixer en effectuant une rotation à 90°.
- Ouvrir le robinet d'eau complètement.
- Brancher la fiche secteur dans une prise de courant.
- Interrupteur principal sur "I/ON".

Fonctionnement

L'appareil n'est pas approprié pour un fonctionnement plus de 15 min.

⚠ Danger

Le jet d'eau sortant de la buse haute pression provoque une force de réaction sur la poignée-pistolet. Veiller à adopter une position stable et à tenir la poignée et la lance fermement.

- Déverrouiller la manette de la poignée-pistolet.
- Tirer le levier, l'appareil se met en service.

Remarque : Si le levier est relâché, l'appareil se met hors service. La haute pression est conservée dans le système.

Lance avec réglage de la pression (Vario Power)

Pour les travaux courants de nettoyage. La pression de travail peut être réglable de manière continue entre "Min" et "Max".

- Relâcher la manette de la poignée-pistolet.
- Tourner la lance sur la position souhaitée.

Lance avec rotabuse

Pour les salissures tenaces.

Pas approprié pour un travail avec du détergent.

Travail avec le détergent

Utilisez pour la tâche de nettoyage respective exclusivement des détergents et des produits d'entretien Kärcher®, car ceux-ci ont été mis au point spécialement pour une utilisation avec votre appareil. L'emploi d'autres détergents ou produits de soin peut entraîner une usure plus rapide et l'annulation de la garantie. Veuillez vous informer chez votre distributeur spécialisé ou consultez Kärcher® directement.

- Remplir la solution de détergent dans le réservoir de détergent (respecter l'indication de dosage sur l'emballage de détergent).
- Utiliser la lance avec réglage de la pression (Vario Power).
- Tourner la lance sur la position "Mix".

Remarque : Ainsi, la solution de détergent est mélangée au jet d'eau lors du fonctionnement.

Méthode de nettoyage conseillée

- Pulvériser le détergent sur la surface sèche et laisser agir sans toutefois le laisser sécher complètement.
- Retirer les saletés dissoutes au moyen du jet haute pression.

Interrompre le fonctionnement

- Relâcher la manette de la poignée-pistolet.
- Verrouiller le levier de la poignée-pistolet.
- En cas de pauses de longue durée (plus de 5 minutes), mettre en plus l'appareil hors service avec l'interrupteur "0/OFF".
- Enficher la poignée-pistolet dans le support de poignée-pistolet.

Fin de l'utilisation

Attention

Séparer le tuyau haute pression de la poignée-pistolet ou de l'appareil uniquement quand il n'y a pas de pression dans le système.

- Après le travail avec le détergent :
Remplir le réservoir de détergent avec de l'eau claire, tourner le tube d'acier avec la régulation de pression sur la position "Mix", mettre l'appareil en service pendant environ 1 minute et rincer.
- Relâcher la manette de la poignée-pistolet.
- Mettre l'appareil hors service "0/OFF".
- Fermer le robinet d'eau.
- Séparer l'appareil de l'alimentation en eau.
- Actionner la gachette de la poignée-pistolet afin de faire échapper la pression restante dans le système.
- Verrouiller le levier de la poignée-pistolet.
- Retirer le connecteur de la prise.

Transport

Attention

Afin d'éviter tout accident ou toute blessure lors du transport, tenir compte du poids de l'appareil (voir les caractéristiques techniques).

Transport manuel

- Tirer l'appareil à l'aide de la poignée de transport.

Transport dans des véhicules

- Vider le réservoir de détergent.
- Freiner l'appareil pour l'empêcher de glisser et de basculer.

Entreposage

Attention

Afin d'éviter tout accident ou toute blessure, tenir compte du poids de l'appareil (voir les caractéristiques techniques) en choisissant son emplacement pour le stockage.

Ranger l'appareil

En cas de stockage prolongé, par ex. en hiver, respecter en plus les recommandations fournies au chapitre Entretien.

- Garer l'appareil sur une surface plane.
- Enficher la poignée-pistolet dans le support de poignée-pistolet.
- Ranger le câble d'alimentation, le flexible à haute pression et l'accessoire sur l'appareil.

Protection antigel

Attention

Mettre l'appareil et les accessoires à l'abri du gel.

L'appareil et les accessoires sont détruits par le gel si l'eau n'a pas été totalement vidée. Pour éviter tout endommagement :

- Vider complètement l'eau de l'appareil :
Mettre l'appareil en service avec le flexible haute pression raccordé et sans alimentation d'eau raccordé (max. 1 min.) et attendre jusqu'à ce qu'il ne sorte plus d'eau du raccord haute pression. Désactiver l'appareil.
- Conserver l'appareil et l'intégralité des accessoires dans un endroit à l'abri du gel.

Entretien et maintenance

⚠ Danger

Avant tout travail d'entretien et de maintenance, mettre l'appareil hors tension et débrancher la fiche secteur.

Entretien

Avant un stockage prolongé, par exemple en hiver :

- Retirer le filtre du flexible d'aspiration pour détergent et le nettoyer à l'eau courante.
- Enlever le tamis de l'arrivée d'eau à l'aide d'une pince et le nettoyer à l'eau courante.

Maintenance

L'appareil ne nécessite aucune maintenance.

Pièces de rechange

Utiliser uniquement des pièces de rechange de la marque Kärcher®. Vous trouverez une liste des pièces de rechanges à la fin de cette notice.

Assistance en cas de panne

Il est possible de résoudre des pannes sans trop grande gravité en utilisant la liste suivante.

En cas de doute, s'adresser au service après-vente agréé.

⚠ Danger

Avant tout travail d'entretien et de maintenance, mettre l'appareil hors tension et débrancher la fiche secteur.

Seul le service après-vente agréé est autorisé à effectuer des travaux de réparation ou des travaux concernant les pièces électriques de l'appareil.

L'appareil ne fonctionne pas

- Tirer le levier de la poignée pistolet, l'appareil se met en service.
- Vérifier que la tension indiquée sur la plaque signalétique correspond à la tension de la prise de courant.

- Vérifier si le câble d'alimentation est endommagé

L'appareil ne monte pas en pression

- Contrôler le réglage sur la lance.
- Purger l'appareil : Mettre l'appareil en service sans flexible haute pression et attendre (max. 2 minutes) jusqu'à ce qu'il s'écoule de l'eau sans bulle de l'accord haute pression. Mettre l'appareil hors tension et raccorder le flexible haute pression.
- Contrôler l'alimentation en eau.
- Enlever le tamis de l'arrivée d'eau à l'aide d'une pince et le nettoyer à l'eau courante.

Fluctuations de pression importantes

- Nettoyer la buse à haute pression : Ôtez les salissures situées dans l'orifice de la buse à l'aide d'une aiguille et rincez-la avec de l'eau.
- Contrôler la quantité d'eau alimentée.

Appareil non étanche

- Une fuite minime au niveau de l'appareil peut survenir sous certaines conditions techniques. Si la fuite est importante, contacter le service après-vente agréé.

Le détergent n'est pas aspiré

- Utiliser la lance avec réglage de la pression (Vario Power).
Tourner la lance sur la position "Mix".
- Nettoyer le filtre situé sur le flexible d'aspiration du détergent.
- Contrôler le flexible d'aspiration pour le détergent afin de détecter tout pli.

Caractéristiques techniques

Branchement électrique

Tension	110 V 1~50 Hz
---------	------------------

Courant absorbée	13 A
------------------	------

Degré de protection	IP X5
---------------------	-------

Classe de protection	II
----------------------	----

Arrivée d'eau

Température d'alimentation (max.)	104 °F
-----------------------------------	--------

Pression d'alimentation	30-170 psi
-------------------------	------------

Débit d'alimentation (min.)	2 gpm
-----------------------------	-------

Performances

Pression maximale admissible	1300 psi
------------------------------	----------

Débit (eau)	1.5 gpm
-------------	---------

Débit (détergent)	0.1 gpm
-------------------	---------

Dimensions et poids

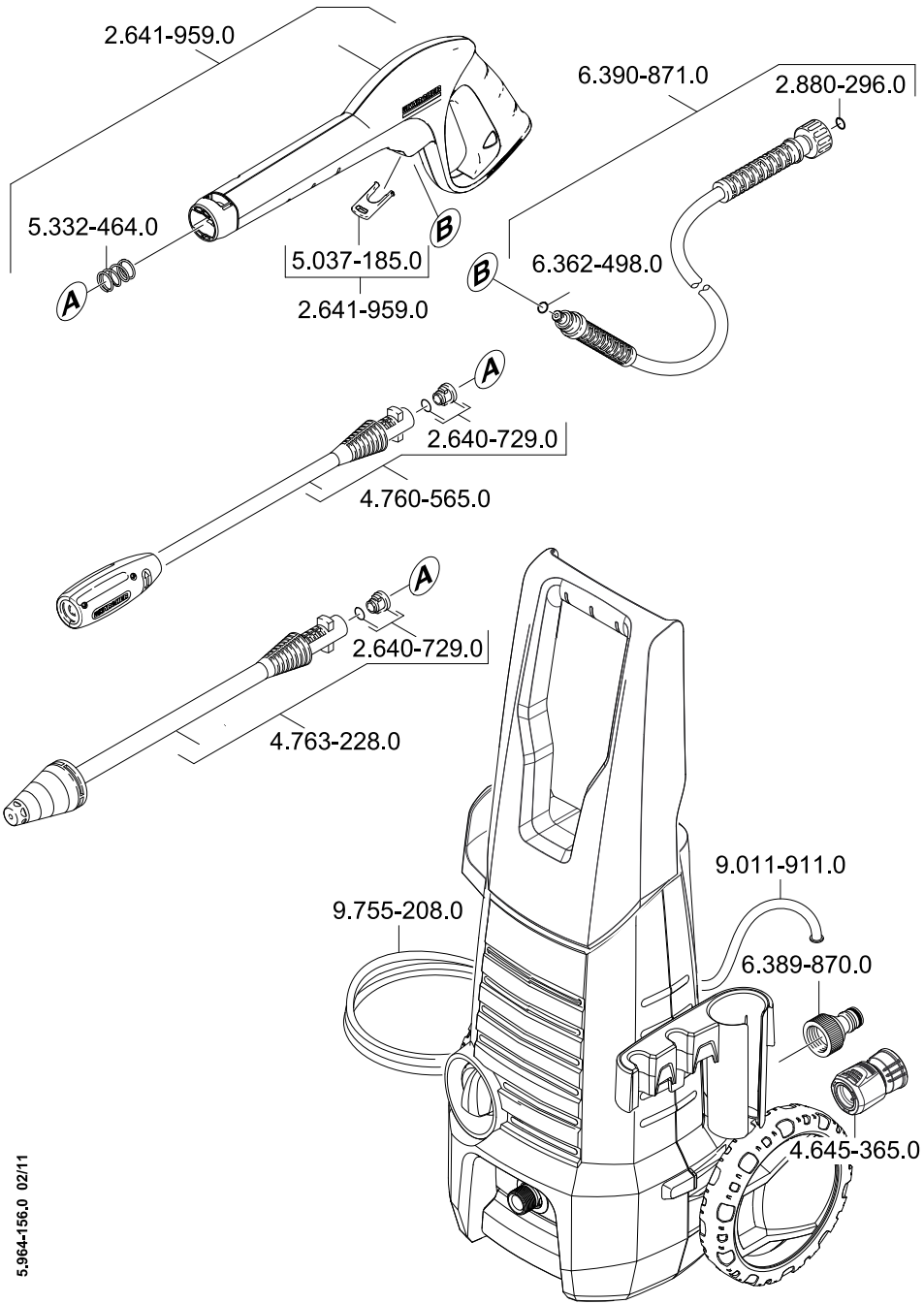
Longueur	258 mm
----------	--------

Largeur	328 mm
---------	--------

Hauteur	661 mm
---------	--------

Poids	4.7 kg
-------	--------

Sous réserve de modifications techniques !



5.964-156.0 02/11

A
Alfred Kärcher Ges.m.b.H.
Lichtblaustraße 7
1220 Wien
☎ (01) 250 600

AUS
Kärcher Pty. Ltd.
40 Koornang Road
Scoresby VIC 3179
☎ (03) 9765 - 2300

B / LUX
Kärcher N.V.
Industrieweg 12
2320 Hoogstraten
☎ B: 0900 10027
LUX: 0032 900 10027

BR
Kärcher Indústria e Comércio Ltda.
Av. Prof. Benedito Montenegro 419
CEP 13.140-000 - Paulínia - SP
☎ 0800 176 111

CDN
Kärcher Canada Inc.
6975 Creditview Road Unit #2
Mississauga, Ontario L5N 8E9
☎ 1-800-465-4980

CH
Kärcher AG
Industriestraße 16
8108 Dällikon
☎ 0844 850 863

CZ
Kärcher spol s r.o.
Modletice č.p. 141
251 01 Říčany u Prahy
☎ 0323 606 014

D
Alfred Kärcher GmbH & Co. KG
Service-Center Gissigheim
Im Gewerbegebiet 2
97953 Königheim-Gissigheim
☎ (07195) 903 2065

DK
Kärcher Rengøringsystemer A/S
Gejlhøvedgård 5
6000 Kolding
☎ 70 206 667

E
Kärcher S.A.
Pol. Industrial Font del Radium
Calle Doctor Trueta 6-7
08400 Granollers (Barcelona)
☎ 902 170 068

F
Kärcher S.A.S.
5 Avenue des Coquelicots
Z.A. des Petits Carreaux
94865 Bonneuil-sur-Marne
☎ (01) 43 996 770

FIN
Kärcher OY
Yrittäjätie 17
01800 Klaukkala
☎ 0207 413 600

GB
Kärcher(UK) Limited
Kärcher House
Beaumont Road
Banbury
Oxon, OX16 1TB
☎ 01295 752 200

GR
Kärcher Cleaning Systems A.E.
31-33, Nikitara str. &
Konstantinoupoleos str.
13671 Acharnes
☎ 210 - 2316 153

H
Kärcher Hungária Kft
Tormásrét ut. 2.
2051 Biatorbágy
☎ (023) 530 640

HK
Kärcher Limited
Unit 10, 17/F.
APEC Plaza
49 Hoi Yuen Road
Kwun Tong, Kowloon
☎ (02) 357-5863

I
Kärcher S.p.A.
Via A.Vespucci 19
21013 Gallarate (VA)
☎ 848 - 99 88 77

IRL
Kärcher Limited
12 Willow Business Park
Nangor Road
Clondalkin Dublin 12
☎ (01) 409 77 77

KOR
Kärcher Co. Ltd. (South Korea)
Youngjae B/D, 50-1, 51-1
Sansoo-dong, Mapo-ku
Seoul 121-060
☎ 032-465-8000

MAL
Kärcher Cleaning Systems Sdn. Bhd.
No. 8, Jalan Serindit 2
Bandar Puchong Jaya
47100 Puchong, Selangor
☎ (03) 5882 1148

MEX
Kärcher México, SA de CV
Cv. Gustavo Baz No. 29-C
Av. Naucalpan Centro
Naucalpan, Edo. de México
C.P. 53000 México
☎ 01 800 024 13 13

N
Kärcher AS
Stanseveien 31
0976 Oslo
☎ 24 17 77 00

NL
Kärcher BV
Postbus 474
4870 AL Etten-Leur
☎ 0900-33 444 33

NZ
Kärcher Limited
12 Ron Driver Place
East Tamaki, Auckland
☎ (09) 274-4603

P
Neoparts - Com.e.Ind.Automóvel,S.A.
Av. Infante D. Henrique, Lote 35
1800-218 Lisboa
☎ 21 8558300

PL
Kärcher Sp. z o.o.
Ul. Stawowa 140
31-346 Kraków
☎ (012) 6397-222

PRC
Kärcher Cleaning Systems Co., Ltd.
Part B, Building 30,
No. 390 Ai Du Road
Shanghai Waigaoqiao 200131
☎ (021) 5046-3579

RO
Kärcher Romania s.r.l.
Sos. Odaii Nr. 439
013606 București
☎ 0372709001

RUS
ООО «Керхер»
109147, Москва
ул. Таганская, д.34, стр.3
☎ +7 495 228 39 45

S
Kärcher AB
Tagenevägen 31
42502 Hisings-Kärä
☎ (031) 577-300

SGP
Kärcher Asia Pacific Pte. Ltd.
5 Toh Guan Road East
#01-00 Freight Links
Express Distripark
Singapore 608831
☎ 6897-1811

SK
Kärcher Slovakia, s.r.o.
Beniakova 2
94901 Nitra
☎ 037 6555 798

TR
Kärcher Servis Ticaret A.S.
9 Eylül Mahallesi
307 Sokak No. 6
Gazimir / Izmir
☎ (0232) 252-0708

TWN
Kärcher Limited
5F/6. No.7
Wu-Chuan 1st Rd
Wu-Ku Industrial Zone
Taipei County
☎ (02) 2299-9626

UA
Kärcher Ukraine
Kilzeva doroga, 9
03191, Kyiv
☎ (044) 594 75 75

UAE
Kärcher FZE
Jebel Ali Free Zone
NA 8, XB 1, Jebel Ali, Dubai
☎ (04) 8836-776

USA
Alfred Kärcher, Inc
2170 Satellite Blvd
Suite 350
Duluth, GA 30097
☎ 678-935-4545; 877-527-2437

ZA
Kärcher (Pty.) Limited
144 Kusckke Street
Meadowdale
Edenvale 1614
☎ (011) 574-5360



www.kaercher.com