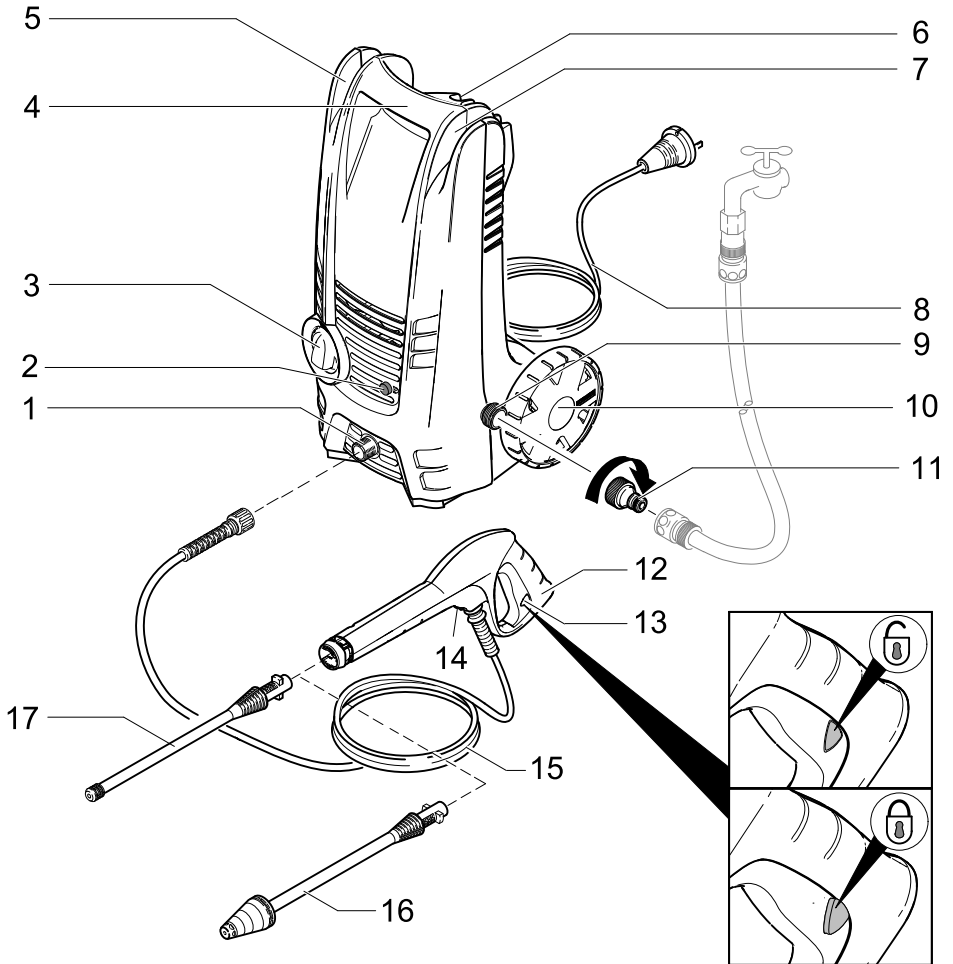
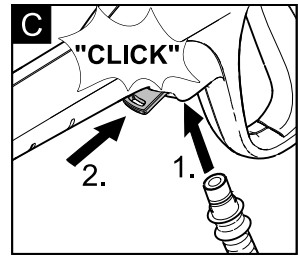
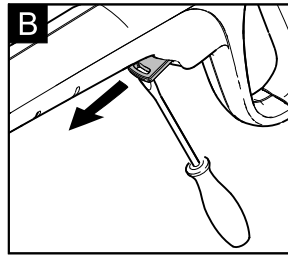
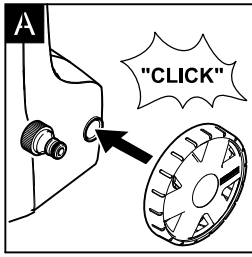


中文.....3

English.....9






目录

一般事项	3
安全操作说明	4
运行	5
运输	7
保管	7
维修与维护	7
故障帮助	8
产品规格 / 参数	8

一般事项

亲爱的客户：


 在您第一次使用您的设备前，请先阅读并遵守本操作说明书，为日后使用或其他所有者使用方便请妥善保管本说明书。


恰当的使用

本高压式清洗机应当使用在个人家庭用途。

- 利用高压水喷射方式（需要时使用清洁剂），清洗机器、车辆、建筑物外观、阳台、花坛装备等。
- 使用被 KARCHER 认可的附属品、备用零部件和洗涤剂。请参考与洗涤剂所提供的说明部分。

环境保护

 包装材料可以回收利用。请不要把包装材料与普通垃圾放在一起处理，而应妥善安排回收。


 旧的设备中含有宝贵的可再利用的材料，应加以回收利用。请通过适当的收集系统处理您的旧设备。

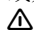
质量保证

我们在各国的经销商已经公布了各国相应的质量保证条款。在质量保证期内，如果您的产品发生了任何故障，我们都将为您提供免费维修，但是这种故障应当是由于机身材料或制造上的缺陷造成的。请您向经销商或者与您距离最近的经过授权的客户服务处联系，提出保修请求，并提供相应的产品购买证明文件。

（地址详见背面。）

说明书中的符号

 **危险**
即刻引发威胁的危险，致使身体严重伤害或死亡。

 **警告**
潜藏的危险情况，可能致使身体严重伤害或死亡。

注意
潜藏的危险情况，可能致使身体轻微伤害或损伤。

设备上的符号

不恰当的使用高压软管可能导致危险。喷射时请勿喷向人员、动物、运作时的电机产品或本产品。



安全操作说明

⚠ 危险

- 请勿用湿手接触插头和插座。
- 请勿使用损伤的电源线和重要部件（例：高压软管、喷射装置、安全装置等）。
- 每次运行前都要确认插头和电源线是否存在损坏。若存在损坏的电源线应立即让已授权的客户服务中心 / 电气专业人员进行更换。
- 使用前确认高压软管是否损伤。损伤的高压软管应立即更换。
- 禁止在存在爆炸危险的区域内运行本设备。
- 在危险区域（如：加油站）使用设备时应遵守相关的安全规定。
- 高压喷枪使用不当，会带来危险。不能对准人、动物、电器设备或者设备自身喷射。
- 高压水枪严禁对人或设备使用者本身进行衣物或鞋的清洗。
- 请勿喷向可能影响健康的危险物质（例：石棉）或物体。
- 在清洗汽车轮胎时，过高的压力可能会损坏轮胎和气门。轮胎的变色将是危险的第一个表现，损坏的轮胎非常危险。在清洗轮胎时，请保持高压喷嘴最少 30 厘米的距离！
- 爆炸危险！
不得喷射可燃液体。
任何溶解性液体或没稀释的酸性物质和溶解剂不允许吸取！这些物质包括汽油、涂料稀释剂或燃料。这些物质的喷雾存在可燃性、爆炸性和毒性特质。请勿使用与丙酮没有稀释的酸性物质及溶解剂，因为可能造成本设备的损伤。

⚠ 警告

- 电源延长线的插头和结合装置应当防水，勿浸入水中。
- 不适合的电源延长线可能产生危险。仅使用与本设备使用目的相符的带有电源线规格标识的室外用电源延长线。1 - 10 m: 1,5 mm²; 10 - 30 m: 2,5 mm²
- 始终充分松弛电缆卷筒的延长线。
- 高压水管及其接头等附件对清洗机安全很重要。仅使用由制造公司推荐的高压水管及其接头等配件。

- 必须确定设备不能由身体能力有限、感官能力弱或理解能力差的人员操作。儿童或未经指导的人员都不准操作本设备。
应照看好儿童，以确保他们不用设备玩耍。
- 让儿童远离包装薄膜，否则会有窒息危险！
- 本设备应使用制造公司供给或推荐的洗涤剂。使用其他的洗涤剂或化学产品可能影响到本设备的安全性。
- 操作者必须合理操作设备，注意周围环境和人员，尤其是儿童，以免造成危险。
- 在其他人员可能达到的距离内请勿使用本设备，除非配着防护服。
- 逆喷射以前为了防水或灰尘应配着适当的防护服和防护镜。

注意

- 若工间休息比较长，关闭设备总开关 / 设备开关或拔下电源插头。
- 设备不可在环境温度 0 度以下使用。
- 为了清洗已涂装表面的喷射时，保持最小 30 厘米的喷射距离且不会在涂装表面上造成损伤。
- 严禁设备无人状态下，无人看管。
- 需要注意的是，不得碾压、压挤、拖拽或通过诸如此类的行为而损坏电源连接线或延长线缆。避免热源、油或者锋利的刀刃从而保护电源线。
- 所有导电性物体严禁使用高压喷枪清洗。
- 本设备只能根据 IEC 60364 规定，由电工连接到电气接口。
- 本设备仅用于交流电源。电压必须满足设备铭牌上的数据要求。
- 本着安全的原则，我们公司推荐本设备应通过故障电流安全开关（最大电流为 30 毫安）而使用。
- 产生含有油成分废水的清洗作业（发动机 / 车体底部清洗作业等）应只使用配备油分离器的清洗设备。

安全装置

注意

安全装置就是为了保护使用者，因此不允许随意改造或重组。

设备开关

设备开关是防止设备误启动。

水枪扳手安全栓

水枪扳手安全栓于锁紧状态防止设备偶然的启动。

带压力开关的溢流阀

溢流阀阻碍压力超过允许的工作压力。当松开手持喷枪的控制杆，压力开关关闭泵，高压喷射停止。拉上该杆，泵又被开启。

稳定性的必要条件

注意

用设备或在设备上任何作业前要先确保设备的稳定性，以避免事故或故障发生。

— 操作者应将设备放在平坦地面上。

运行

供货范围

设备的供货范围都已绘制在包装上。因此，打开包装时请检查产品是否齐全。

如有附件缺失或运输过程损坏，请联系经销商。

设备说明

图片参见第 2 页

- 1 高压接口
- 2 洗涤剂吸取软管（过滤器）
- 3 产品开关“0/OFF” / “I/ON”
- 4 手柄
- 5 电源线存储架
- 6 喷头存储架
- 7 高压软管指示
- 8 电源线
- 9 带安装有滤网的水接口
- 10 轮子
- 11 管接头
- 12 手持喷枪
- 13 喷枪扳手安全锁
- 14 高压软管夹
- 15 高压软管
- 16 带旋转喷嘴的喷杆
- 17 高压喷嘴喷头

特殊附属配件

特殊附属配件的使用可延长设备的使用寿命。详细事项请联系 KARCHER 产品的销售处。

设备运作前

使用设备前，请按图示将部件组装好。

图A

→ 插入运输轮并锁紧。

图B

→ 分离喷枪高压软管夹（例：利用小型螺丝刀）。

图C

→ 插入喷枪高压软管。

→ 卡入管夹直至稳固。拉高压软管以检查是否安全连接。

水供给

根据相关法规，若没有系统分离器，不能使用该设备直接从饮水系统供水。请使用凯驰的合适系统分离器。或使用符合 EN12729 BA 的合适的系统分离器。



注意

系统分离装置总是连接供水，而不要直接连接仪器！

注意：水中杂质可能损伤高压泵和部件。为防止此类状况，我们公司推荐使用 KARCHER 水过滤器（选配件、货号：4.730-059）。

来自水管的水供给

水供给的注意事项。

连接参数详见类型规格标识 / 产品参数。

- 使用具备标准结合装置的强化型水软管（不配备）。（直径最小 1/2 英寸或最小 13 毫米；长度最短为 7.5 米）
- 将结合装置（配备）连接至供水位置。
- 将供水软管固定至结合装置后连接供水系统。

调试设备

注意

干运转（缺水）2 分钟以上会导致高压泵损坏。设备 2 分钟内没有压力形成，关闭设备并按照“故障帮助”一章内的提示进行操作。

- 将高压软管连接至设备高压软管部位。
- 将喷头置入喷枪后成 90° 旋转固定。
- 完全打开水龙头。
- 插上电源插头。
- 将设备设定为“I/ON”。

设备运作

⚠ 危险

高压模式操作时，喷枪具有反作用力，请站稳立好。

- 释放喷枪上的安全锁。
- 握紧扳手启动设备。

注意：松开水枪扳手停止设备。高压残留于系统内。

高压喷嘴喷头

适用于正常的清洗作业中。
不能使用清洁剂。

带旋转喷嘴喷杆

清除顽固污渍。

不能使用清洁剂。

注意

不使用脏铣刀清洁汽车轮胎、油漆或敏感表面如木材，存在损坏的危险。

使用洗涤剂的清洗作业

每次执行清洁任务时请只使用 KARCHER 公司的清洁剂和护理液，因为它们是专门为您的仪器开发研制的。如果使用其它清洁剂和护理液，则会加快磨损，我们也将因此取消质保。相关信息请咨询专门经销商或直接向 KARCHER 公司征求信息。

- 自机壳内拉出所需长度的洗涤剂吸取软管。
- 在洗涤溶液筒中悬挂吸取软管。
- 自喷枪分离喷头。仅用喷枪运作。
注意：由此，使用时洗涤剂溶解物混入喷出的水柱之中。

推荐的清洗方法

- 在干燥的表面上少量喷射洗涤剂，让清洁剂在表面发生反应，但不要使之变干。
- 利用高压喷射方式刷洗被溶解的杂质。

设备运作中断

- 松开水枪扳手。
- 推上喷枪上的安全锁。
- 如，长时间（5 分钟以上）运作中断时，将设备开关设定为“0/OFF”。

设备结束操作

- 使用洗涤剂清洗作业后，在干净水的桶中悬挂吸取软管，约 1 分钟刷洗拔除喷头后运作状态下的装置。
- 松开水枪扳手。
- 将设备设定为关闭“0/OFF”。
- 关闭水龙头。
- 自供水处分离设备。
- 按压水枪扳手以除去在设备系统中残留的压力。
- 推上喷枪上的安全锁。
- 从设备高压连接部位分离高压软管。
- 取下插头。

运输

注意

为了避免事故和伤害，搬运时要注意设备的重量（参见技术参数）。

手动搬运

- 握住手柄拉高并提起设备。

车辆运输

- 确保设备不会滑倒和倾覆。

保管

注意

为了避免事故和伤害，选择存放地点时要考虑到设备的重量（参见技术参数）。

设备保管

长期存放之前，如在冬季特别要注意维护一章的提示。

- 设备置放在平坦地面上；
- 在喷枪指示插入喷枪。
- 妥善保管电源线、高压软管及设备附属品等。

防霜

注意

设备和附属品的防霜。

在水没有完全排空的情况下，设备和附属品或许会因含霜而破损。防止损伤：

- 完全排空设备内的水：打开不带高压软管和供水连接装置的设备（最大1分钟），等待直至无水从高压连接部位出来时。关闭设备。
- 完全配备附属品的设备应在防霜的室内保管。

维修与维护

⚠ 危险

在对设备进行维修与维护之前，必须关闭设备并拔下电源插头。

维护

冬季等长时间保管前：

- 从洗涤剂吸取软管分离过滤器后用水清洗。
- 用扁嘴钳分离微细过滤器后用水清洗。

维护

免费提供设备维修

备件

请仅使用 KARCHER 的原始备件。在本说明书后附有一份备件总览表。

故障帮助

参考下记的帮助事项可处理很多故障。
存在疑问时请联系本公司认可的客户服务部。

⚠ 危险

在对设备进行维修与维护之前，必须关闭设备并拔下电源插头。

维修作业和相关电机附件的作业仅应在本公司认可的客户维修部。

设备不运作

- 拉动手持喷枪的控制杆，设备接通。
- 检查电源电压必须跟型号标识上给出的电压一致。
- 检查电源线是否损伤。

设备压力不足

- 设备放气：不连接高压软管接通设备并等待（最多2分钟），直至流出高压接口的水没有气泡产生。关闭设备并重新连接上高压软管。
- 检查供水连接系统。
- 用扁嘴钳分离微细过滤器后用水清洗。

强大的压力变化

- 高压清洗：用针除去喷头孔处的杂物，再用水清洗。
- 检查供水连接系统。

设备漏水

- 在技术方面可能存在高压泵少许漏水的情况。漏水量较大时请联系本公司认可的客户服务部。

洗涤剂不被吸取

- 自喷枪分离喷头。仅用喷枪运作。
- 清洗洗涤剂吸取软管的过滤网。
- 检查洗涤剂吸取软管是否扭曲。

产品规格 / 参数

电气接口

电压	220-240 V 1~50/60 Hz
----	-------------------------

输入功率	1,4 kW
------	--------

消耗电流	6 A
------	-----

保护程度	IP X5
------	-------

保护等级	II
------	----

保险丝（缓熔型）	10 A
----------	------

水接口

进水温度（最大）	40 ° C
----------	--------

流量（最小）	8 升 / 分
--------	---------

流入压力	0, 2-1, 2 MPa
------	---------------

功率参数

工作压力	8 MPa
------	-------

最大允许压力	11 MPa
--------	--------

水流消耗	5,5 升 / 分
------	-----------

洗涤剂消耗	0,4 升 / 分
-------	-----------

后挫力	10 N
-----	------

尺寸和重量

长度	271 毫米
----	--------

宽度	246 毫米
----	--------

高度	493 毫米
----	--------

重量	4,4 千克
----	--------

该值遵照 EN 60335-2-79 规定

手臂振动值	<2,5 m/s ²
-------	-----------------------

不安全性 K	0,3 m/s ²
--------	----------------------

声压等级 L _{pA}	76 A 级分贝
----------------------	----------

不安全性 K _{DΔ}	2 A 级分贝
----------------------	---------

声功率电平 L _{WA} + 不安全性	91 A 级分贝
------------------------------	----------

K_{WA}



技术参数可能会有变化！

Contents

Allgemeine Hinweise	3
Sicherheitshinweise	4
Bedienung	6
Transport	8
Lagerung	8
Pflege und Wartung	8
Hilfe bei Störungen	9
Technische Daten	9

General information

Dear Customer,

  Please read and comply with these original instructions prior to the initial operation of your appliance and store them for later use or subsequent owners.

Proper Use

This high-pressure cleaner is designed for domestic use only:

- to clean machines, vehicles, buildings, tools, facades, terraces, garden equipment etc. using a high-pressure water jet (and detergents if required).
- with accessories, replacement parts and detergents approved by KÄRCHER. Observe the instructions provided with these detergents.

Environmental protection



The packaging material can be recycled. Please do not place the packaging into the ordinary refuse for disposal, but arrange for the proper recycling.



Old appliances contain valuable materials that can be recycled. Please arrange for the proper recycling of old appliances. Please dispose your old appliances using appropriate collection systems.

Warranty

The warranty terms published by the relevant sales company are applicable in each country. We will repair potential failures of

your appliance within the warranty period free of charge, provided that such failure is caused by faulty material or defects in manufacturing. In the event of a warranty claim please contact your dealer or the nearest authorized Customer Service centre. Please submit the proof of purchase. (See address on the reverse)

Symbols in the operating instructions

Danger

Immediate danger that can cause severe injury or even death.

Warning

Possible hazardous situation that could lead to severe injury or even death.

Caution

Possible hazardous situation that could lead to mild injury to persons or damage to property.

Symbols on the machine

High-pressure jets can be dangerous if improperly used. The jet must not be directed at persons, animals, live electrical equipment or at the appliance itself.



Safety instructions

Danger

- *Never touch the mains plug and the socket with wet hands.*
- *The appliance must not be used if the power cord or important parts of the appliance, e.g. high-pressure hoses, trigger gun or safety devices are damaged.*
- *Check the power cord and mains plug for damage before every use. If the power cord is damaged, please arrange for it to be replaced immediately by an authorised repair agent or a skilled electrician*
- *Check the high-pressure hose for damage before every use. Please arrange for the immediate replacement of a damaged high-pressure hose.*

- *The appliance may not be used in areas where a risk of explosion is present.*
- *If the appliance is used in hazardous areas (e.g. filling stations) the corresponding safety provisions must be observed.*
- *High-pressure jets can be dangerous if improperly used. The jet must not be directed at persons, animals, live electrical equipment or at the appliance itself.*
- *The high-pressure jet must not be directed at other persons or directed by the user at him/herself to clean clothing or footwear.*
- *Never use the appliance to clean objects containing hazardous substances (e.g. asbestos).*
- *Vehicle tyres or tyre valves are susceptible to damage from the high-pressure jet and may burst. The first indication of this is a discolouration of the tyre. Damaged vehicle tyres/tyre valves are highly dangerous. Ensure that a distance of at least 30 cm is observed when cleaning with the jet!*
- **Risk of explosion!**
Do not spray flammable liquids. Never draw in fluids containing solvents or undiluted acids and solvents! This includes petrol, paint thinner and heating oil. The spray mist thus generated is highly inflammable, explosive and poisonous. Do not use acetone, undiluted acids and solvents as they are damaging to the materials from which the appliance is made.

⚠ Warning

- *The mains plug and the coupling of an extension cable must be watertight and must never lay in the water.*
- *Unsuitable extension cables can be hazardous. Only use extension cables outdoors which have been approved for this purpose and labelled with a sufficient cable cross-section:
1 - 10 m: 1.5 mm²; 10 - 30 m: 2.5 mm²*
- *Always fully unroll electrical cables from the cable drum.*
- *High-pressure hoses, fixtures and cou-*

plings are important for the safety of the appliance. Only use high-pressure hoses, fixtures and couplings recommended by the manufacturer.

- *This appliance is not intended for use by persons with reduced physical, sensory or mental capabilities. The appliance must not be operated by children or persons who have not been instructed accordingly. Children should be supervised to prevent them from playing with the appliance.*
- *Keep packaging film away from children - risk of suffocation!*
- *This appliance was designed to be used with detergents which are supplied or recommended by the manufacturer. The use of other detergents or chemicals may compromise the safety of the appliance.*
- *The operator must use the appliance correctly. When working with the appliance, he must consider the local conditions and pay due care and attention to other persons, in particular children, who are nearby.*
- *Do not use the appliance when there are other persons around unless they are also wearing safety equipment.*
- *Wear protective clothing and safety goggles to protect against splash back containing water or dirt.*

Caution

- *In case of extended downtimes, switch the appliance off at the main switch / appliance switch or remove the mains plug.*
- *Do not operate the appliance at temperatures below 0 °C.*
- *Observe a distance of at least 30 cm when using the jet to clean painted surfaces to avoid damaging paintwork.*
- *Never leave the appliance unattended when it is in operation.*
- *Make sure that the power cable or extension cables are not damaged by running over, pinching, dragging or similar. Protect the power cable from heat, oil, and sharp edges.*

- *All current-conducting parts in the working area must be protected against jet water.*
- *The appliance may only be connected to an electrical supply which has been installed in accordance with IEC 60364.*
- *The appliance may only be connected to alternating current. The voltage must correspond with the type plate on the appliance.*
- *For safety reasons, we recommend that you operate the appliance only via a earth-leakage circuit breaker (max. 30 mA).*
- *Cleaning operations which produce oily waste water, e.g. engine washes, underbody washes, may only be carried out using washing stations equipped with an oil separator.*

Safety Devices

Caution

Safety devices protect the user and must not be modified or bypassed.

Power switch

The appliance switch prevents unintentional operation of the appliance.

Lock trigger gun

This lock locks the lever of the trigger gun and prevents the inadvertent start of the appliance.

Overflow valve with pressure switch

The overflow valve prevents the permissible working pressure from being exceeded. If the lever on the trigger gun is released the pressure switch turns off the pump, the high-pressure jet is stopped. If the lever is pulled the pump is turned on again.

Prerequisites for the appliance's stability

Caution

Create stability for the appliance prior to all work on or with the appliance to prevent accidents or damage.

- The stability of the appliance is warranted when it is placed onto an even surface.

Operation

Scope of delivery

The scope of delivery of your appliance is illustrated on the packaging. Check the contents of the appliance for completeness when unpacking.

In the event of missing accessories or any transport damage, please contact your dealer.

Description of the Appliance

Illustrations on Page 2

- 1 High pressure connection
- 2 Detergent suction hose (with sieve)
- 3 Appliance switch "0/OFF"/ „I/ON“
- 4 Carrying handle
- 5 Storage for mains connection cable
- 6 Storage for spray lance
- 7 Storage for high-pressure hose
- 8 Mains cable with mains plug
- 9 Water connection with integrated sieve
- 10 Bearing wheel
- 11 Coupling element for water connection
- 12 Trigger gun
- 13 Lock trigger gun
- 14 Clamp for high pressure hose
- 15 High pressure hose
- 16 Spray lance with Dirtblaster
- 17 Spray lance with high pressure nozzle

Special accessories

Special accessories expand the possibilities of using your appliance. Please contact your KÄRCHER dealer for further information.

Before Startup

Mount loose parts delivered with appliance prior to start-up.

Illustration **A**

➔ Insert the transport wheels and lock them.

Illustration **B**

➔ Pull out the clamp for the high-pressure hose from the trigger gun (e.g. a small screwdriver).

Illustration **C**

➔ Connect high pressure hose to trigger gun.

- Push the clamp in until it locks. Check the secure connection by pulling on the high-pressure hose.

Water supply

According to the applicable regulations, the appliance must never be used on the drinking water supply without a system separator. Use a suitable system separator manufactured by KÄRCHER; or, as an alternative, a system separator as per EN 12729 Type BA. Water flowing through a system separator is considered non-drinkable.



Caution

Always connect the system separator to the water supply, never directly to the appliance!

Note: Impurities in the water can damage the high-pressure pump and accessories. For protection, the use of the KÄRCHER water filter (optional accessory, order no. 4.730-059) is recommended.

Water supply from mains

Observe regulations of water supplier.

For connection values, see type plate/technical data.

- Use a fibre-reinforced water hose (not included) with a standard coupling. (Minimum diameter 1/2 inch (13 mm), minimum length 7.5 m).
- Screw the supplied coupling element to the water connection on the appliance.
- Push the water supply hose onto the coupling unit, then connect it to the water supply.

Start up

Caution

Dry runs lasting longer than two minutes lead to damages to the high pressure pump. If the appliance does not build up pressure within two minutes, switch it off and proceed as instructed in the Chapter "Troubleshooting".

- Connect the high pressure hose to the high pressure connection of the appliance.

- Push the spray lance into the trigger gun and fasten it by turning it through 90°.
- Completely open the water tap.
- Insert the mains plug into the socket.
- Turn on the appliance "I/ON".

Operation

⚠ Danger

The trigger gun is subjected to a recoil force when the water jet is discharged. Make sure that you have a firm footing and are also holding the trigger gun and spray lance firmly.

- Unlock the lever on the trigger gun.
- Pull on the lever of the trigger gun; the device will switch on.

Note: Release the lever of the trigger gun; the device will switch off again. High pressure remains in the system.

Spray lance with high pressure nozzle

For normal cleaning tasks.

Not suitable for use with detergents.

Spray lance with Dirtblaster

For particularly dirty items or areas.

Not suitable for use with detergents.

Caution

Car tyres, paint or sensitive surfaces such as wood should not be cleaned with the dirt blaster, as there is a risk of damage.

Working with detergent

Please use exclusively KÄRCHER detergents and care products to carry out the respective cleaning task, as these were specifically developed for your appliance.

The use of other detergents and care products may lead to premature wear and can invalidate your warranty claims. Please obtain information at your local dealer or request information directly from KÄRCHER.

- Pull detergent suction hose as far as is required out of the housing.
- Suspend end of detergent suction hose in a container filled with detergent.
- Detach spray lance from the trigger gun. Work only with the trigger gun.

Note: This will mix the detergent with the water stream.

Recommended cleaning method

- Spray the detergent sparingly on the dry surface and allow it to react, but not to dry.
- Spray off loosened dirt with the high-pressure jet.

Interrupting operation

- Release the lever on the trigger gun.
- Lock the lever on the trigger gun.
- During longer breaks (more than 5 minutes), also turn the appliance off using the "0/OFF" switch.

Finish operation

- After working with detergent, suspend detergent suction hose in a container filled with clear water, switch the appliance on for around 1 minute once the spray lance has been removed and rinse until water runs clear.
- Release the lever on the trigger gun.
- Turn off the appliance "0/OFF".
- Turn off tap.
- Detach the appliance from the water supply.
- Press the lever on the trigger gun to release any remaining pressure in the system.
- Lock the lever on the trigger gun.
- Separate the high pressure hose from the high pressure connection of the appliance.
- Pull out the mains plug.

Transport

Caution

In order to prevent accidents or injuries, keep in mind the weight of the appliance during transport (see Specifications).

When transporting by hand

- Lift appliance by the carrying handle and carry it.

When transporting in vehicles

- Secure the appliance against shifting and tipping over.

Storage

Caution

In order to prevent accidents or injuries, keep in mind the weight of the appliance when selecting a storage location for it (see Specifications).

Storing the Appliance

Prior to extended storage periods, as during the winter, also observe the instructions in the Care section.

- Park the machine on an even surface.
- Insert the trigger gun in its holder.
- Stow away the mains cable, the high-pressure hose and accessory at the appliance.

Frost protection

Caution

Protect the appliance and its accessories against frost.

The appliance and its accessories can get destroyed through frost if there are any water residues in them. To avoid damage to them:

- Completely drain all water from the appliance: Switch the appliance on with detached high-pressure hose and detached water supply (max. 1 minute) and wait, until no more water exits at the high-pressure connection. Turn off the appliance.
- Store the appliance and the entire accessories in a frost-safe room.

Maintenance and care

Danger

Turn off the appliance and remove the mains plug prior to any care and maintenance work.

Care

Prior to longer periods of storage, e.g. in the winter:

- Remove filter from suction hose for detergent and clean under running water.

- Pull out the sieve in the water connection using flat-nose pliers and clean under running water.

Maintenance

The appliance is maintenance-free.

Spare parts

Use only original KÄRCHER spare parts. You will find a list of spare parts at the end of these operating instructions.

Troubleshooting

You can rectify minor faults yourself with the help of the following overview.

If in doubt, please consult the authorized customer service.

Danger

Turn off the appliance and remove the mains plug prior to any care and maintenance work.

Repair works may only be performed by the authorized customer service.

Appliance is not running

- Pull on the lever of the trigger gun; the device will switch on.
- Check whether the voltage indicated on the type plate corresponds to the voltage of the mains supply.
- Check the mains connection cable for damages.

Pressure does not build up in the appliance

- Appliance ventilation: Switch the appliance on with the high-pressure hose detached and operate (max. 2 minutes) until the water exits the high-pressure connection without bubbles. Switch off appliance and reconnect high-pressure hose.
- Check the water supply.
- Pull out the sieve in the water connection using flat-nose pliers and clean under running water.

Strong pressure fluctuations

- Clean high-pressure nozzle: Remove dirt and debris from the nozzle bore, us-

ing a needle and rinse through with water from the front.

- Check water flow quantity.

Appliance is leaking

- Slight leakage from the appliance pump is normal. If the leakage increases contact the authorized customer service.

No detergent infeed

- Detach spray lance from the trigger gun. Work only with the trigger gun.
- Clean the detergent suction hose filter.
- Check the detergent suction hose for kinks.

Technical specifications

Electrical connection

Voltage	220-240 V
	1~50/60 Hz
Connected load	1,4 kW
Power consumption	6 A
Protection class	IP X5
Protective class	II
Mains fuse (slow-blow)	10 A

Water connection

Max. feed temperature	40 °C
Min. feed volume	8 l/min
Feed pressure	0,2-1,2 MPa

Performance data

Working pressure	8 MPa
Max. permissible pressure	11 MPa
Water flow rate	5,5 l/min
Detergent flow rate	0,4 l/min
Recoil force of trigger gun	10 N

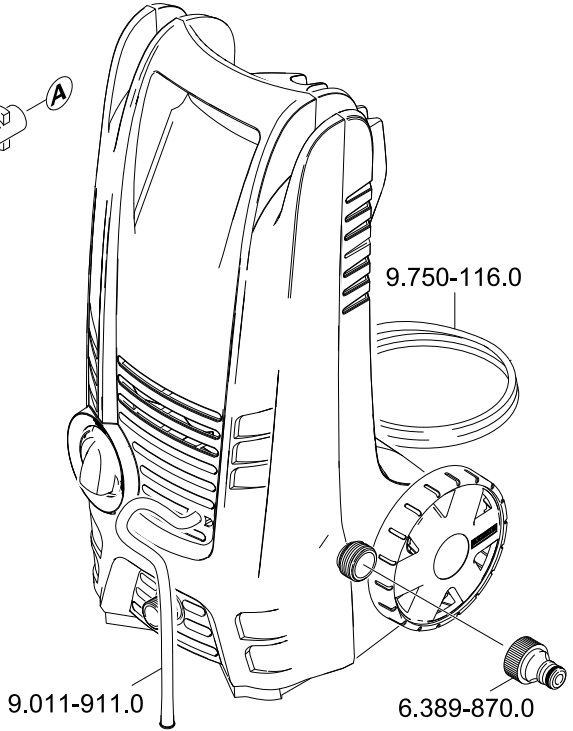
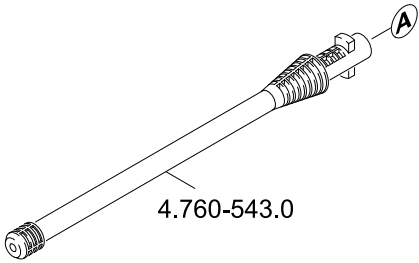
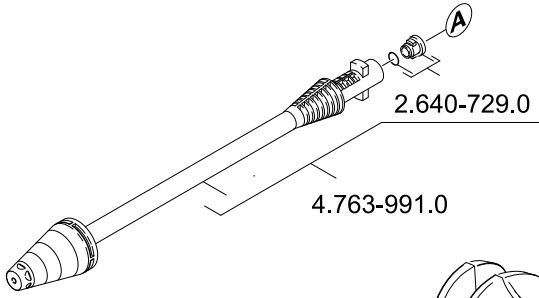
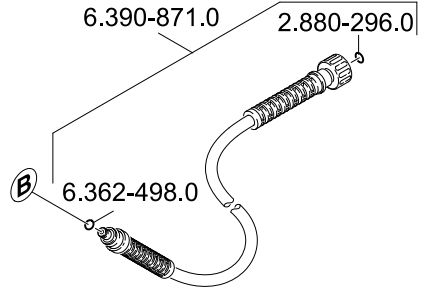
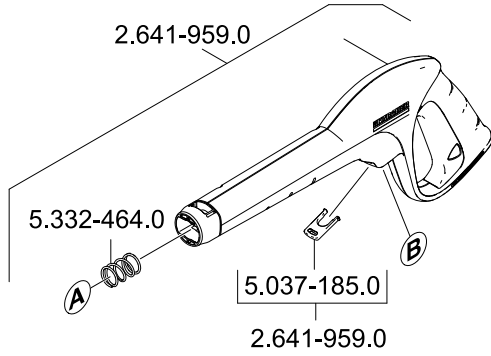
Dimensions and weights

Length	271 mm
Width	246 mm
Height	493 mm
Weight	4,4 kg

Values determined as per EN 60335-2-79

Hand-arm vibration value	<2,5 m/s ²
Uncertainty K	0,3 m/s ²
Sound pressure level L _{pA}	76 dB(A)
Uncertainty K _{pA}	2 dB(A)
Sound power level L _{WA} + Uncertainty K _{WA}	91 dB(A)

Subject to technical modifications!



5.963-380.0 01/11

A
Alfred Kärcher Ges.m.b.H.
Lichtblaustraße 7
1220 Wien
☎ (01) 250 600

AUS
Kärcher Pty. Ltd.
40 Koornang Road
Scoresby VIC 3179
☎ (03) 9765 - 2300

B / LUX
Kärcher N.V.
Industrieweg 12
2320 Hoogstraten
☎ B: 0900 10027
LUX: 0032 900 10027

BR
Kärcher Indústria e Comércio Ltda.
Av. Prof. Benedito Montenegro 419
CEP 13.140-000 - Paulínia - SP
☎ 0800 176 111

CDN
Kärcher Canada Inc.
6975 Creditview Road Unit #2
Mississauga, Ontario L5N 8E9
☎ 1-800-465-4980

CH
Kärcher AG
Industriestraße 16
8108 Dällikon
☎ 0844 850 863

CZ
Kärcher spol s r.o.
Modletice č.p. 141
251 01 Říčany u Prahy
☎ 0323 606 014

D
Alfred Kärcher GmbH & Co. KG
Service-Center Gissigheim
Im Gewerbegebiet 2
97953 Königheim-Gissigheim
☎ (07195) 903 2065

DK
Kärcher Rengøringsystemer A/S
Gejlhøvegård 5
6000 Kolding
☎ 70 206 667

E
Kärcher S.A.
Pol. Industrial Font del Radium
Calle Doctor Trueta 6-7
08400 Granollers (Barcelona)
☎ 902 170 068

F
Kärcher S.A.S.
5 Avenue des Coquelicots
Z.A. des Petits Carreaux
94865 Bonneuil-sur-Marne
☎ (01) 43 996 770

FIN
Kärcher OY
Yrittäjätie 17
01800 Klaukkala
☎ 0207 413 600

GB
Kärcher(UK) Limited
Kärcher House
Beaumont Road
Banbury
Oxon, OX16 1TB
☎ 01295 752 200

GR
Kärcher Cleaning Systems A.E.
31-33, Nikitara str. &
Konstantinoupoleos str.
13671 Acharnes
☎ 210 - 2316 153

H
Kärcher Hungária Kft
Tormásrét ut. 2.
2051 Biatorbágy
☎ (023) 530 640

HK
Kärcher Limited
Unit 10, 17/F.
APEC Plaza
49 Hoi Yuen Road
Kwun Tong, Kowloon
☎ (02) 357-5863

I
Kärcher S.p.A.
Via A.Vespucci 19
21013 Gallarate (VA)
☎ 848 - 99 88 77

IRL
Kärcher Limited
12 Willow Business Park
Nangor Road
Clondalkin Dublin 12
☎ (01) 409 77 77

KOR
Kärcher Co. Ltd. (South Korea)
Youngjae B/D, 50-1, 51-1
Sansoo-dong, Mapo-ku
Seoul 121-060
☎ 032-465-8000

MAL
Kärcher Cleaning Systems Sdn. Bhd.
No. 8, Jalan Serindit 2
Bandar Puchong Jaya
47100 Puchong, Selangor
☎ (03) 5882 1148

MEX
Kärcher México, SA de CV
Cv. Gustavo Baz No. 29-C
Av. Naucalpan Centro
Naucalpan, Edo. de México
C.P. 53000 México
☎ 01 800 024 13 13

N
Kärcher AS
Stanseveien 31
0976 Oslo
☎ 24 17 77 00

NL
Kärcher BV
Postbus 474
4870 AL Etten-Leur
☎ 0900-33 444 33

NZ
Kärcher Limited
12 Ron Driver Place
East Tamaki, Auckland
☎ (09) 274-4603

P
Neoparts - Com. e.Ind. Automóvel, S.A.
Av. Infante D. Henrique, Lote 35
1800-218 Lisboa
☎ 21 8558300

PL
Kärcher Sp. z o.o.
Ul. Stawowa 140
31-346 Kraków
☎ (012) 6397-222

PRC
Kärcher Cleaning Systems Co., Ltd.
Part B, Building 30,
No. 390 Ai Du Road
Shanghai Waigaoqiao 200131
☎ (021) 5046-3579

RO
Kärcher Romania s.r.l.
Sos. Odaii Nr. 439
013606 București
☎ 0372709001

RUS
ООО «Керхер»
109147, Москва
ул. Таганская, д.34, стр.3
☎ +7 495 228 39 45

S
Kärcher AB
Tagenevägen 31
42502 Hisings-Kärä
☎ (031) 577-300

SGP
Kärcher Asia Pacific Pte. Ltd.
5 Toh Guan Road East
#01-00 Freight Links
Express Distripark
Singapore 608831
☎ 6897-1811

SK
Kärcher Slovakia, s.r.o.
Beniakova 2
94901 Nitra
☎ 037 6555 798

TR
Kärcher Servis Ticaret A.S.
9 Eylül Mahallesi
307 Sokak No. 6
Gazimir / Izmir
☎ (0232) 252-0708

TWN
Kärcher Limited
5F/6. No.7
Wu-Chuan 1st Rd
Wu-Ku Industrial Zone
Taipei County
☎ (02) 2299-9626

UA
Kärcher Ukraine
Kilzeva doroga, 9
03191, Kyiv
☎ (044) 594 75 75

UAE
Kärcher FZE
Jebel Ali Free Zone
RA 8, XB 1, Jebel Ali, Dubai
☎ (04) 8836-776

USA
Alfred Kärcher, Inc
2170 Satellite Blvd
Suite 350
Duluth, GA 30097
☎ 678-935-4545; 877-527-2437

ZA
Kärcher (Pty.) Limited
144 Kusckke Street
Meadowdale
Edenvale 1614
☎ (011) 574-5360



www.kaercher.com