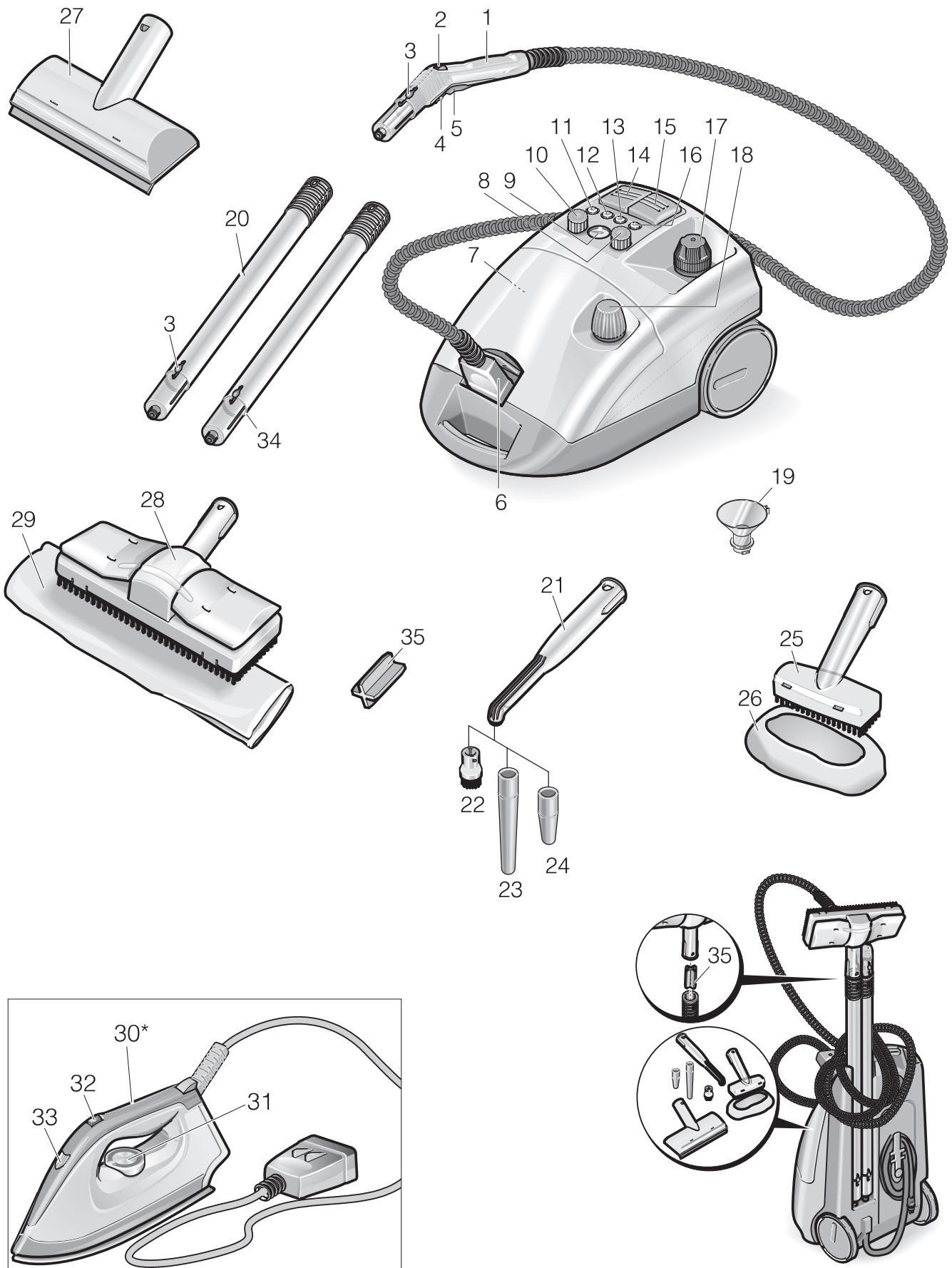


Zephyr

English	3
Français	12
Español	21



1. Starting the unit



1. Starting the unit

- 1 Steam pistol
 - 2 Handwheel for steam control
 - 3 Release button
 - 4 Locking mechanism (child lock)
 - 5 Steam switch
 - 6 Modular accessory plug
 - 7 Reset button – Descaling completed
 - 8 VAPOHYDRO control knob
 - 9 Temperature indicator
 - 10 Steam control knob
 - 11 Indicator light – Descaling due (white)
 - 12 Indicator lamp –
Low water warning, additional tank (red)
 - 13 Indicator lamp – Heater (yellow)
 - 14 Heater ON/OFF switch
 - 15 Steam supply switch
 - 16 Indicator lamp –
Low water warning, boiler (red)
 - 17 Boiler cap with safety valve
 - 18 Tank cap
 - 19 Funnel for filling tank
 - 20 Extension tubes
 - 21 Spot nozzle
 - 22 Circular brush
 - 23 Extension
 - 24 Power nozzle (red)
 - 25 Hand nozzle
 - 26 Terry-toweling slip-on
 - 27 Window nozzle*
 - 28 Floor nozzle
 - 29 Large wiping cloth
 - 30 Household iron *
 - 31 Temperature control
 - 32 Steam-ironing switch
 - 33 Indicator lamp – heater for household iron
 - 34 Retaining bracket
 - 35 Floor Nozzle Storage Fitment
- * Optional accessory

1.1 Unpacking the unit

- If you notice any transport damage while unpacking the unit, please report it to your dealer immediately.
- The packaging materials should not simply be disposed of as domestic refuse. Instead, the left-over packaging components should be taken to an official collection point for recycling.

1.2 Attaching the accessories

- Connect the modular accessory plug to the main unit. The lugs on the plug must lock into place on the cover of the main unit socket.
- Attach the required accessory (floor, hand or spot nozzle) to the steam gun. Push both parts together until the lock button on the steam gun snaps into place.
- If required, use the extension tubes. Assemble the tube sections by pushing one into the other until the button snaps into place.
- Press the release button to separate the accessories from each other.

1.3 Filling the boiler with water

- Remove the safety cap from the main unit.
- Using the funnel, pour a maximum of 0.5 gal (2 litres) of tap water into the boiler. Hot water shortens the heating-up time.

Note: With the unit standing on a level surface, the boiler can be filled up to 0.75 in (2 cm) below the top of the filler neck.

- Do not use any detergents.
- Refit the safety cap onto the main unit, and ensure that it is properly tightened.

Additional tank

Fill the additional tank in order to prolong the time that the cleaner can be used before it requires refilling.

- Unscrew the cap on the additional tank.
- Using the funnel, pour a maximum of 0.5 gal (2 litres) of tap water into the tank.
- Screw the cap back onto the tank.

1. Starting the unit

1.4 Switching the unit ON

- Plug the unit into a electrical wall outlet, and switch it on by means of the steam supply switch and the heater switch. Indicator lamps should be illuminated.

Note: *The full heat rating will only be available if the modular accessory plug is connected to the main unit while it is heating up.*

- When the heater indicator lamp extinguishes, the system is ready for use.

Note: *Do not place the unit in an upright position while it is switched ON. Otherwise the heater will automatically switch OFF after a short interval, and the red indicator lamp (low water warning) will light up.*

- For transporting the unit, switch the heater OFF by means of the heater switch.
- When you press the steam switch, steam is expelled from the steam gun. Always direct the steam gun at a piece of cloth until the steam flows evenly out of the nozzle.
- The heater is switched on continually while the unit is in use (indicator lamp lights up), so that the pressure inside the boiler is maintained at a constant level.
- If you have switched the unit on and there is no water in the boiler, heater indicator lamp will light up initially before the low-water thermostat switches the heater off. The low-water indicator lamp will then light up.

1.5 Refilling the boiler with water

Note: *When there is no water left in the additional tank, a warning signal is sounded and the LOW WATER WARNING lamp for the additional tank illuminates.*

- Using the funnel, fill the additional tank with a maximum of 0,5 gal (2 litres) of tap water.
- When the HEATER indicator lamp extinguishes, the cleaner is ready for use again.

Note: *If the pump does not deliver any water, although the additional tank is full, it is a sign that the boiler requires descaling – see 3.1 Descaling the boiler.*

1.6 Switching the unit OFF

- Switch the unit OFF by means of switches.
- Remove the modular plug from the main unit, while lifting up the socket cover at the same time.
- Remove the plug from the mains socket.
- Any remaining water can be left inside the unit.

1.7 Transporting the unit

- If you have been working with the extension tubes and the floor nozzle, it is quite easy to transport the unit.
- Turn the heater OFF with switch, stand the unit upright, and attach the extension tube to the retaining bracket on the underside of the main unit.

1.8 Storing the unit

- Place the hand and spot nozzles, together with the smaller items, in the accessory compartment.
- Wind the cable around the holder on the base of the main unit. Attach the floor nozzle to one of the extension tubes, and insert both tubes into the recesses in the base of the unit.
- Ensure that the brushes are allowed to cool down without the bristles becoming deformed in the process.

2. Directions for use

2.1 Important fundamental information

To achieve satisfactory results with a steam cleaner, it is most important that the initial cleaning stage is performed thoroughly. This means that where detergents and other cleaning products have been used for many years, the immediate objective must be to strip away the layer that will have built up. By using a steam cleaner, dirt is lifted off, as described previously, and picked up by the cloth. Depending upon the amount to be cleaned off, the dirt will have been completely removed after the cleaner has been applied 1 - 2 times. The result is a floor surface that is free of streaks. The same applies when cleaning windows. The steam cleaner cannot remove large amounts of limescale directly. A description of the procedure for successfully removing these types of deposits is contained in the section concerning the cleaning of bathroom fittings.

2.2 Special notes on cleaning

Fabrics

Before steam-cleaning fabrics or textiles, we recommend that first of all you carry out a test on an inconspicuous part of the material. Apply plenty of steam to the test area, and then allow the material to dry out so that you can determine whether any changes in colour or shape occur.

Coated or painted surfaces

When steam-cleaning kitchen cabinets or other items of furniture, doors, parquet flooring, painted or plastic-coated surfaces, please take into account that waxes, furniture polish, plastic coatings or paint may be dissolved or lifted off if they are subjected to prolonged exposure to the steam jet. Apply only small amounts of steam directly to these types of surface, or clean them with a cloth to which the steam has been applied first.

Glass surfaces / window panes

Glass surfaces may break if they are subjected to uneven heating. Especially in the case of low exterior temperatures, you should first of all spray steam lightly over the whole glass surface in order to even out any differences in temperature and to avoid the build-up of tension on the surface of the glass. Do not apply the steam jet directly to the sealed parts of the window.

2.3 Regulating volume of steam with rotary knob on main unit

- If you are working with the standard accessories or the iron, you can control the volume of steam by adjusting the rotary knob on the main unit.

2.4 Regulating volume of steam with handwheel on steam gun

- If you are working with the standard accessories you can regulate the volume of steam with the handwheel on the steam gun. In this case the rotary knob on the main unit is inoperative.

Note: *If the handwheel is set for a small volume of steam, it is quite possible that steam may still be expelled from the nozzle for a short interval after the steam switch has been released and until the pressure in the steam hose has dissipated. You can release the pressure more quickly by turning the steam volume control to a higher setting.*

2.5 VAPOHYDRO rotary control knob

- In washrooms or tiled areas, for example, you can also flush the dirt away instead of wiping it off with the cloth. This is achieved by varying the moisture content of the steam by adjusting rotary knob on the main unit. The greater the amount of moisture in the steam, i.e. the more water there is in the steam jet, the better the washing results will be. If you turn the rotary knob all the way round to "+", a jet of hot water is discharged from the nozzle giving the greatest flushing effect.
- Use the VAPOHYDRO feature together with the spot nozzle, for example, for cleaning the bathroom.
- If you are working with cloths (floor nozzle, hand nozzle), set the VAPOHYDRO rotary control knob to "-", so that the steam jet contains as little moisture as possible. This improves the ability of the steam to loosen and dissolve the dirt.

Note: *If you turn the VAPOHYDRO rotary control knob to "+", the boiler will empty more quickly.*

2. Directions for use

2.6 Temperature indicator

- This indicator shows you whether you are working within the proper temperature range (green area).

2.7 Steam gun

- The steam can be used without accessories for the following cleaning jobs:
 - Deodorizing clothing and removing creases from garments;
 - Dusting houseplants (maintain a distance of approx. 12 in (30 cm));
 - Damp dusting: apply small amount of steam to surface and then wipe dry with a clean cloth.

2.8 Spot nozzle

- The spot nozzle can be attached either directly to the steam gun or via the extension tubes.
- Because the steam temperature and pressure are at their highest immediately the steam leaves the nozzle, the closer you hold the steam jet to the object to be cleaned, the better the cleaning results will be.
- You can use the spot nozzle with its various attachments for cleaning the following
 - areas that are hard to reach, such as corners, joints, etc.
 - venetian blinds, radiators
 - toilets and sanitary installations
 - stainless steel, windows, mirrors
 - taps and fittings
 - coated and enameled surfaces
 - initial treatment of stains.
- Use the nozzle extension to reach otherwise inaccessible cracks and joints, etc.
- The power nozzle increases the velocity at which the steam is discharged from the steam gun. This makes it particularly suitable for the following, for example:
 - removing particularly stubborn dirt
 - blowing steams into corners, cracks, crevices, etc.

Note: The circular brush is not suitable for cleaning sensitive surfaces.

2.9 Floor nozzle

- Depending upon the actual cleaning task, the floor nozzle can be used with the extension tubes. You can use this nozzle for all large washable wall and floor surfaces. Place the floor nozzle onto the folded large cloth, and then pull the cloth under the retaining clips on each side.
- The best results for wiping up dirt are achieved when you turn the cloth over, or replace it, frequently.
- For more effective cleaning of heavily soiled surfaces, slow down your working speed to allow the steam more time to penetrate the grime.
- Any traces of detergents left on the floor surface to be cleaned may form streaks. As a rule these streaks will disappear after the steam cleaner has been applied several times.

2.10 Hand nozzle

- Depending upon the actual cleaning task, use the hand nozzle with the extension tubes.
- You can use the hand nozzle with the cloth for cleaning:
 - small washable surfaces
 - upholstery
 - sensitive surfaces.

2.11 Optional accessories

Only accessories approved by the manufacturer may be used with this unit.

Household iron (Order no. 6.959-262)

- Connect the modular plug on the household iron to the main unit.

Steam-ironing

- Rotate the VAPOHYDRO control knob right round to “-”.
- For ironing all types of fabrics the temperature control should be set at least to the *** stage. In this setting the steam discharged from the iron prevents the fabric from being overheated.
- The higher the selected temperature, the dryer and less visible is the steam; the volume of steam remains the same however.

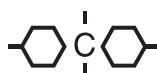
2. Directions for use

- As soon as the lamp on the iron extinguishes, it is ready for use.
- As soon as you press the switch, a solenoid valve in the main unit opens and steam flows out of the base of the iron. If you push the switch forwards, steam is expelled continuously; if you push the switch towards the rear, shots of steam are discharged.
- Begin by directing the steam onto a piece of cloth until water no longer comes out of the iron.
- Turn the steam volume control on the main unit to obtain the desired amount of steam.
- You can hold the iron vertically for steaming curtains, clothes, etc.

Dry-ironing

- If you wish to iron without using steam, switch the steam supply switch on the main unit to ON, and the heater switch to OFF.
- Set the temperature dial for the desired fabric type.

Synthetic fibres



Wool



Linen



Window nozzle (Order no. 4.130-145)

- Attach the window nozzle directly to the steam gun. Use the extension tubes if required.
- Apply steam evenly to the glass surface from a distance of approx. 8 in (20 cm). Switch off the steam supply and squeegee the glass surface in straight passes from top to bottom. Wipe the rubber lip and the bottom edge of the window dry after each pass.

Wallpaper remover (Order no. 2.863-076)

With the wallpaper remover you can use the steam cleaner for stripping wallpaper.

- Procedure:
 - Place the wallpaper remover with its entire surface on the edge of a sheet of wallpaper. Allow the steam to penetrate until the wallpaper is soaked through (approx. 10 sec.).
 - Without switching it off, move the wallpaper remover to a new location. Use a putty knife to lift the loosened wallpaper, and pull it off completely.
 - The steam may not be able to readily penetrate woodchip wallpaper that has been painted several times. In this case we recommend that you go over the wallpaper with a spiked roller before steam is applied.

Caddy

6.962-239

Set of circles of bristles with brass bristles

2.863-075

Set of circles of bristles

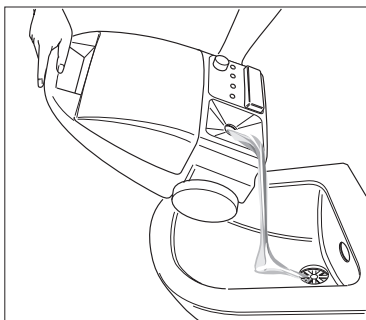
2.863-077

Micro-fibre cloth

6.905-921

3. Care, Maintenance & Troubleshooting

3.1 Cleaning the boiler



Rinsing out the boiler

- To clean the boiler, we recommend that you fill it with water and shake it vigorously. This should loosen any scale that has settled at the bottom of the boiler. If you now pour the water out of the boiler, the scale will be flushed out at the same time (see illus.).
- For soft water (up to 1.8 mmol/L) the boiler should be flushed out after it has been refilled 15 times, for harder water after every fifth time.

Descaling the boiler

We recommend that you descale the appliance as soon as the “Descaling due” indicator light illuminates.

- In order to remove any scale that has built up on the walls of the boiler, we recommend that you clean the boiler with Decalcifying Liquid.
- In order to avoid damaging your steam cleaner, use only products for descaling that have been officially approved by WINDSOR.

Procedure:

- Unplug the steam cleaner from the electrical outlet.
- Empty the boiler entirely of any remaining water.
- Dissolve the contents of two bags in 0.5 gal (2 litre) of warm water while continuously stirring the liquid at the same time.
- Pour the solution into the boiler, and allow to stand for approx. 8 hours.



The safety cap must not be attached to the boiler while descaling is being carried out. Make sure that the cleaner can not be used while there is any descaling solution left in the boiler.

- Pour the contents of the boiler out at the side (see illus.), and rinse out the boiler at least twice with cold water to ensure that no descaling solution or deposits are left inside.
- Switch on the cleaner.
- Press the reset button until the “Descaling due” light extinguishes.
- Your steam cleaner is now ready for use again. After approx. 50 operating hours, the “Descaling due” light will illuminate to show that it is time to descale the appliance once more.

Note: *If you use distilled water exclusively, it will not be necessary to descale the cleaner. When the “Descaling due” indicator light illuminates, just press the reset button until the light goes out.*

Filter replacement

- When using polluted water the filter can become blocked. This makes itself apparent either by extraordinarily long running times of the pump or a total functional failure. In this case the filter should be replaced.

3.2 What to do if there is a problem

- If the low-water warning lamp lights up because the unit has been stood upright although it still operating, follow the procedure described in the section “Refilling the boiler with water”.
- If you encounter any other problems with the cleaner, you should contact your local authorized customer service agent.

4. Safety devices

This steam cleaner has been fitted with various safety devices to provide multiple protection measures. The most important safety components are described below.

4.1 Pressure controller

The pressure controller maintains the boiler pressure at as constant a level as is possible while the cleaner is in use. The heater is switched off when the operating pressure inside the boiler reaches its maximum of 3.2 bar, and switched on again when the pressure drops as a result of steam being drawn off.

4.2 Low-water thermostat

As the water inside the boiler is consumed, the temperature around the heater rises. The low-water thermostat switches the heater off, and the red low-water warning lamp lights up. The heater is prevented from switching on again until the boiler has cooled down, or it has been refilled with water.

4.3 Safety thermostat

If the low-water thermostat fails and the cleaner overheats, then the safety thermostat switches the whole unit off. Contact your authorized WINDSOR Customer Service agent so that the safety thermostat can be reset.

4.4 Safety cap

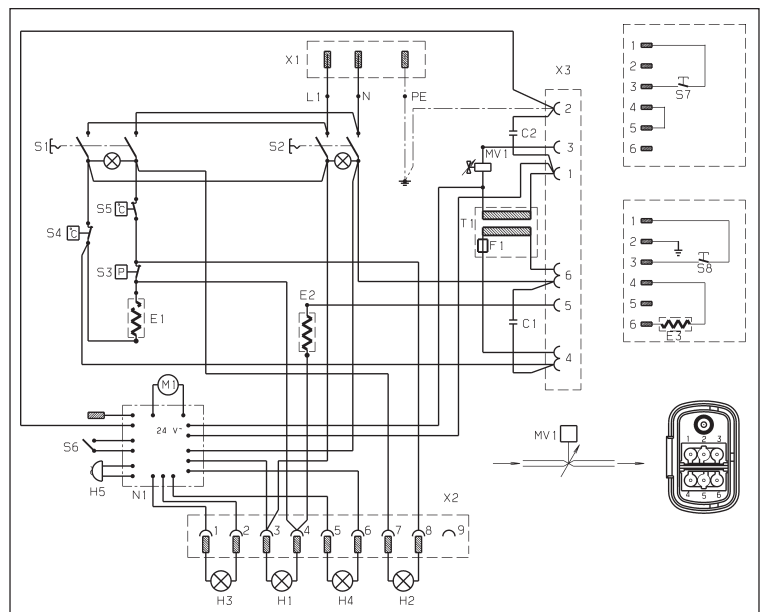
The safety cap seals off the boiler and keeps the steam pressure inside. If the pressure controller becomes defective, and the pressure inside the boiler rises above 5.5 bar, an overpressure valve opens inside the safety cap, and steam escapes into the open. Contact your authorized WINDSOR Customer Service agent before using the cleaner again.

5. Technical specifications

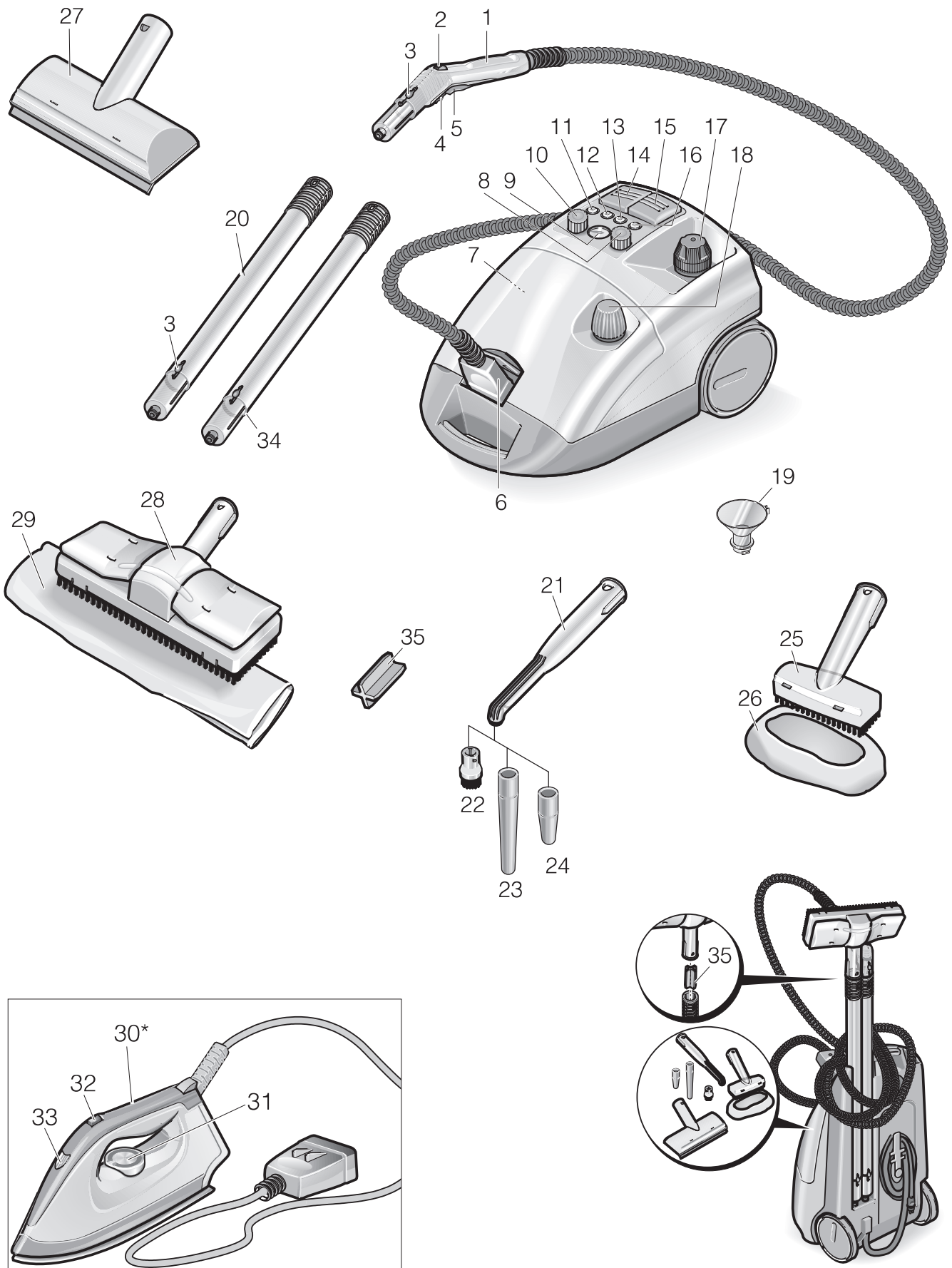
Electrical connection		
Voltage	120	V
Current type	60	Hz
Voltage at handgun	24	V
Mains connection cable, Order no.	6.647-791	
Performance data		
Heater power consumption	1800	W
Pump	50	W
Max. operating pressure	46 (0.32)	psi (MPa)
Permissible operating pressure	72 (0.5)	psi (MPa)
Heating time	ca. 21 (5.5)	min/gal (min/L) water
Max. steam volume	2.6 (75)	oz/min (g/min)
Dimensions		
Weight without accessories	18.0 (8.0)	lbs (kg)
Water capacity	1.0 (4.0)	gal (L)
Tank capacity	0.50 (2.0)	gal (L)
Boiler capacity	0.65 (2.4)	gal (L)
Width	12 (305)	in (mm)
Length	19 (480)	in (mm)
Height	10.5 (265)	in (mm)

Circuit diagram 0.087-983

- S1 Heater switch
- S2 Steam supply switch
- S3 Pressure switch
- S4 Safety thermostat
- S5 Low-water thermostat
- S6 Reset button – Descaling completed
- S7 Steam switch, steam gun
- S8 Steam switch, iron
- H1 Indicator lamp, heater
- H2 Indicator lamp, low water warning
- H3 Indicator lamp, fresh-water tank
- H4 Indicator light – Descaling due
- H5 Buzzer
- E1 Heating element, 1500 W
- E2 Heating element, 750 W
- E3 Heating element, iron, 750 W
- MV1 Solenoid valve
- M1 Pump
- N1 Electronics
- T1 Transformer
- F1 Fuse
- C1, C2 Capacitor
- X1 Mains plug
- X2 Plug, coupling
- X3 Plug, steam supply



1. Mise en service



1. Mise en service

- 1 Pistolet à vapeur
- 2 Manette de régulation du débit de vapeur
- 3 Touche de déverrouillage
- 4 Verrouillage (sécurité-enfants)
- 5 Commutateur de vapeur
- 6 Bloc connecteur
- 7 Bouton-poussoir à réarmement: détartrage
- 8 Bouton rotatif de régulation VAPOHYDRO
- 9 Thermomètre
- 10 Bouton rotatif régulant le débit de vapeur
- 11 Témoin de contrôle – Détartrage (blanc)
- 12 Témoin de contrôle (rouge) de manque d'eau dans le réservoir supplémentaire
- 13 Témoin de contrôle (jaune) du chauffage
- 14 Commutateur de chauffage (Marche/Arrêt)
- 15 Commutateur d'alimentation en vapeur
- 16 Témoin de contrôle (rouge) de manque d'eau dans la chaudière à vapeur
- 17 Bouchon de sécurité
- 18 Bouchon du réservoir
- 19 Entonnoir de remplissage
- 20 Tuyau-rallonge
- 21 Buse à jet crayon
- 22 Brosse ronde
- 23 Rallonge
- 24 Buse de puissance (rouge)
- 25 Buse manuelle
- 26 Revêtement en tissu éponge
- 27 Buse pour fenêtre*
- 28 Buse de sol
- 29 Grand chiffon de nettoyage
- 30 Fer à repasser *
- 31 Thermostat
- 32 Commutateur de repassage à la vapeur
- 33 Témoin de contrôle de chauffage du fer
- 34 Support
- 35 Adaptateur pour buse sols

* Accessoires en option

1.1 Déballage de l'appareil

- Si lors du déballage vous constatez des dégâts dus au transport, veuillez en informer votre transporteur par lettre recommandée avec accusé de réception dans les 3 jours. Faites les réserves nécessaires sur le bon de livraison (article 105 du Code de Commerce).
- Après le déballage, ne jetez pas l'emballage tout simplement dans la poubelle à déchets domestiques. En vue de leur recyclage, rapportez les éléments constitutifs de l'emballage à un point de collecte approprié.

1.2 Montage des accessoires

- Reliez le bloc connecteur avec l'appareil. Les saillies du bloc connecteur doivent encocher contre le couvercle de la prise du Vaporapid.
- Montez l'accessoire désiré contre la poignée (buse de sol, buse manuelle ou buse à jet crayon). Pour ce faire, emboîtez les pièces les unes dans les autres jusqu'à ce que le cran de verrouillage situé contre la poignée encoche.
- Utilisez si nécessaire les tuyaux-rallonges. Pour ce faire, emmanchez les pièces les unes dans les autres jusqu'à ce que la touche correspondante encoche.
- Pour déboîter les accessoires, appuyez sur la touche de déverrouillage.

1.3 Remplissage de l'eau

- Dévissez la fermeture de sécurité de l'appareil.
- Avec l'entonnoir, versez au maximum 0.5 gal (2 litres) d'eau du robinet dans la chaudière. De l'eau chaude raccourcit le délai de chauffage.

Remarque: chaudière à l'horizontale, l'eau peut arriver dedans 0.75 in (2 cm) en-dessous du bord de l'orifice de remplissage.

- N'utilisez pas de détergent.
- Revissez bien fermement la fermeture de sécurité sur l'appareil.

Réservoir supplémentaire

Pour obtenir une plus longue autonomie de travail, vous pouvez également remplir le réservoir supplémentaire.

- Dévissez le couvercle obturant le réservoir supplémentaire.
- Avec l'entonnoir, versez au maximum 0.5 gal (2 litres) d'eau du robinet dans ce réservoir.
- Revissez le couvercle sur le réservoir supplémentaire.

1. Mise en service

1.4 Mise en service de l'appareil

- Branchez la fiche mâle dans une prise de courant et enclenchez l'appareil par le commutateur d'alimentation en vapeur et par le commutateur de chauffage. Les témoins de contrôle doivent s'allumer.

Remarque: la puissance totale de chauffage n'est disponible que si le bloc connecteur est branché sur l'appareil pendant la phase d'échauffement.

- Une fois que le témoin de contrôle du chauffage s'éteint, l'appareil est prêt à fonctionner.

Remarque: appareil enclenché, ne le posez jamais à la verticale. Le chauffage s'éteint sinon automatiquement au bout d'un temps bref et le témoin de contrôle rouge s'allume.

- Pour transporter l'appareil, éteignez le chauffage par le commutateur.
- Lorsque vous actionnez le commutateur de vapeur, cette dernière jaillit. Commencez toujours par diriger le pistolet à vapeur sur un chiffon jusqu'à ce que le jet de vapeur devienne régulier.
- Pendant l'utilisation, le chauffage se rallume périodiquement (le témoin de contrôle s'allume) pour maintenir la chaudière sous pression.
- Si vous avez allumé l'appareil alors qu'il ne contenait plus d'eau, le témoin de contrôle du chauffage s'allume le premier jusqu'à ce que le thermostat de sécurité coupe le chauffage. Ensuite s'allume le témoin de contrôle de manque d'eau.

1.5 Rajouter de l'eau

Remarque: une fois l'eau consommée dans le réservoir supplémentaire, un signal sonore retentit et le témoin de contrôle de manque d'eau dans le réservoir supplémentaire s'allume.

- Avec l'entonnoir, versez au maximum 0.5 gal (2 litres) d'eau du robinet dans le réservoir supplémentaire.
- L'appareil est prêt à fonctionner dès que le témoin de contrôle du chauffage s'éteint.

Remarque: si la pompe ne refoule pas l'eau bien que le réservoir supplémentaire soit plein, c'est le signe qu'il faut détartrer la chaudière. Voir à la section 3.1 intitulée «Détartrage de la chaudière».

1.6 Arrêt de l'appareil

- Éteignez l'appareil par les commutateurs.
- Débranchez le bloc connecteur de l'appareil. Pour ce faire, soulevez le couvercle de la prise femelle de l'appareil.
- Débranchez la fiche mâle de la prise de courant.
- L'eau non utilisée peut rester dans l'appareil.

1.7 Déplacement de l'appareil

- L'appareil est très facile à déplacer si vous vous en servez avec les tuyaux-rallonges et la buse de sol.
- Pour ce faire, éteignez le chauffage par le commutateur, posez l'appareil à la verticale puis emboîtez le tuyau-rallonge dans son support sous l'appareil.

1.8 Rangement de l'appareil

- Rangez la buse manuelle, la buse à jet crayon et la quincaillerie dans le casier à accessoires.
- Enroulez le câble autour de son logement situé sous l'appareil. Adaptez la buse de sol à un des tuyaux puis faites encocher les tuyaux dans les évidements ménagés contre le fond de l'appareil.
- Laissez toujours refroidir les soies des brosses de sorte qu'elles ne puissent pas se déformer.

2. Conseils d'utilisation

2.1 Consignes fondamentales

L'opération la plus importante dans le nettoyage à la vapeur, c'est un prénettoyage à fond. Explication: là où l'on a nettoyé pendant des années avec des détergents, il s'est formé une couche qu'il faudra décoller au cours d'un nettoyage de base. Pendant le nettoyage au nettoyeur à vapeur, ce dernier, suivant la description ci-dessous, décolle les souillures qui viennent adhérer à la toile. Suivant le degré d'encrassement, ces souillures disparaissent complètement au bout de 1 à 2 nettoyages. Le résultat: un sol exempt de stries. Même chose pour le nettoyage des fenêtres. Le nettoyeur ne peut pas décoller directement les dépôts de tartre épais. A la rubrique sur le nettoyage des sanitaires, nous avons décrit comment nettoyer efficacement ces derniers.

2.2 Consignes particulières

Nettoyage des textiles

Avant de traiter les textiles, effectuez toujours d'abord un essai à un endroit occulté. Pour ce faire, passez la surface intensément au jet de vapeur puis laissez-la sécher pour vérifier si des modifications de couleur ou de forme se sont produites.

Nettoyage de surfaces à revêtement ou peintes

Si vous voulez nettoyer à la vapeur du mobilier de cuisine ou de séjour, des portes, surfaces peintes ou recouvertes d'un revêtement en plastique, rappelez-vous que, sous l'effet prolongé de la vapeur, la cire, le brillant pour meuble, le revêtement plastique ou la peinture peuvent se décoller. Pour cette raison, ne passez la vapeur que brièvement dessus ou nettoyez avec un chiffon préalablement échauffé à la vapeur.

Nettoyage des vitres

Des surfaces vitrées inégalement chauffées peuvent se rompre. Surtout lorsqu'il fait assez froid dehors, passez légèrement d'abord toute la surface vitrée à la vapeur pour compenser les différences de température, et pour éviter l'apparition de tensions mécaniques à la surface de la vitre. Ne dirigez pas le jet de vapeur directement sur les parties scellées de la fenêtre.

2.3 Régulation du débit de vapeur par le bouton rotatif situé sur l'appareil

- Si vous travaillez avec des accessoires standard ou avec le fer à repasser, vous pouvez réguler le débit de vapeur par le biais du bouton rotatif équipant le nettoyeur.

2.4 Régulation du débit de vapeur par la manette située sur le pistolet à vapeur

- Si vous travaillez avec les accessoires standard, vous pourrez réguler le débit de vapeur au moyen de la manette sur le pistolet à vapeur. Dans ce cas, le bouton rotatif de l'appareil est inactivé.

Remarque:

Lorsque la manette est réglée sur un petit débit de vapeur, de la vapeur peut continuer de sortir brièvement après que vous avez relâché le commutateur de vapeur, ceci jusqu'à ce que la pression de la vapeur dans le flexible soit redescendue à la pression atmosphérique. Vous pouvez faire redescendre la pression encore plus rapidement en sélectionnant pendant quelques instants un débit de vapeur élevé.

2.5 Régulation VAPOHYDRO par le bouton rotatif

- Dans les locaux humides, au lieu d'enlever les souillures avec un chiffon, vous pouvez les enlever à la vapeur saturée d'eau. Pour ce faire, réglez l'humidité de la vapeur par le bouton rotatif situé sur l'appareil. Plus la vapeur est humide, plus la quantité d'eau dans le jet de vapeur est importante et plus le nettoyage est efficace. Lorsque vous tournez le bouton rotatif complètement sur «+», un jet d'eau chaude jaillit. C'est sur cette position que l'effet nettoyant est maximal.
- Pour nettoyer la salle de bains, utilisez la VAPOHYDRO avec par ex. la buse à jet crayon.
- Si vous utilisez des textiles (buse de sol, buse manuelle), amenez le bouton rotatif de régulation VAPOHYDRO sur «-» afin que le jet de vapeur contienne le moins d'humidité possible. Vous améliorez de cette façon le pouvoir nettoyant de la vapeur.

Remarque: *Si vous positionnez le bouton rotatif de régulation VAPOHYDRO sur «+», la chaudière se vide plus vite.*

2. Conseils d'utilisation

2.6 Indicateur de température

- Il indique si vous travaillez dans la bonne plage de températures (zone verte).

2.7 Le pistolet à vapeur

- Vous pouvez utiliser le pistolet à vapeur sans accessoire pour
 - Supprimer les mauvaises odeurs des vêtements et les déplier;
 - Dépoussiérer les plantes (distance entre la buse et la plante: 12 in (30 cm) env.);
 - Essuyer la poussière par voie humide. Pour ce faire, passez un jet de vapeur léger puis essuyez et séchez avec un chiffon propre.

2.8 Buse à jet crayon

- Suivant besoins, vous pouvez poser la buse à jet crayon directement sur le pistolet à vapeur ou intercaler entre eux les tuyaux-rallonge.
- Plus la buse est proche de l'objet à nettoyer et plus l'effet nettoyant est puissant étant donné que la pression et la chaleur de la vapeur sont maximum au sortir de la buse.
- La buse à jet crayon équipée des divers accessoires vous permet de nettoyer
 - Les endroits difficilement accessibles comme par ex. les recoins, les joints, etc.
 - Les persiennes, chauffages centraux.
 - Les WC.
 - L'acier inoxydable, les fenêtres et miroirs.
 - Les robinetteries.
 - Les surfaces à revêtement et les surfaces émaillées.
 - Et de décoller les taches.
- Utilisez la rallonge pour nettoyer les rainures et joints difficilement accessibles, etc.
- La buse de puissance hausse la vitesse de jaillissement de la vapeur. Pour cette raison, elle convient bien par ex. pour nettoyer
 - Les souillures particulièrement rebelles
 - Les recoins, les joints, etc.

Remarque: la brosse ronde ne convient pas pour nettoyer les surfaces sensibles.

2.9 Buse de sol

- Utilisez la buse de sol avec les tuyaux-rallonges si nécessaire. Utilisez cette buse sur tous les grands revêtements muraux et de sol lavables. Posez la buse de sol sur le grand chiffon plié et tirez-le latéralement sous les agrafes.
- Si vous retournez régulièrement le chiffon et le changez, ceci améliore l'absorption des souillures.
- Nettoyez les surfaces fortement encrassées en travaillant plus lentement. Ceci permet à la vapeur d'agir plus longtemps.
- Si des résidus de détergent se trouvent encore sur le sol à nettoyer, des stries risquent de se former. Elles disparaissent en général après plusieurs passages au nettoyeur à vapeur.

2.10 Buse manuelle

- Utilisez la buse manuelle avec les tuyaux-rallonges si nécessaire.
- Vous pouvez combiner la buse manuelle et le chiffon de nettoyage par ex. pour nettoyer:
 - Les petites surfaces lavables
 - Les étoffes décoratives sur meubles
 - Les surfaces sensibles.

2.11 Accessoires spéciaux

N'utilisez que des accessoires autorisés par le fabricant.

Fer à repasser (N° de réf. 6.959-262)

- Accessoire spécial en vente dans le commerce.

Repassage à la vapeur

- A l'aide du bouton rotatif, réglez le système VAPOHYDRO entièrement sur la position «←».
- Tournez le thermostat jusqu'au degré ■■■ quel que soit le tissu à repasser. La vapeur jaillissante empêche le tissu de surchauffer.
- Plus la température sélectionnée est élevée, plus la vapeur est sèche et transparente, la quantité de vapeur expulsée restant inchangée.
- Le fer est prêt à servir une fois que la lampe du fer s'éteint.
- Lorsque vous actionnez le commutateur, une

2. Conseils d'utilisation

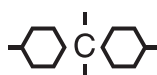
électrovanne s'ouvre dans l'appareil et la vapeur afflue vers la semelle du fer. Si vous poussez le commutateur vers l'avant, la vapeur s'échappe en permanence. Si vous poussez le commutateur vers l'arrière, vous donnez un coup de vapeur.

- Dirigez d'abord la vapeur sur un chiffon jusqu'à ce qu'il ne sorte plus d'eau avec la vapeur.
- Tournez le bouton régulateur de débit de vapeur sur le débit désiré.
- Vous pouvez également utiliser le fer verticalement pour passer les rideaux, les vêtements, etc., à la vapeur.

Repassage à sec

- Si vous voulez repasser sans vapeur, enclenchez le commutateur d'arrivée de vapeur et éteignez le commutateur de chauffage.
- Sur le fer à repasser, réglez le thermostat sur le type de tissu désiré.

Fibre synthétique



Laine



Lin



Buse pour fenêtre (N° de réf. 4.130-145)

- Utilisez la buse pour fenêtre directement avec le pistolet à vapeur. Si nécessaire, utilisez les tuyaux rallonges.
- Pulvérisez la vapeur uniformément sur les vitres à une distance de 8 in (20 cm) environ. Ensuite, coupez l'arrivée de la vapeur et passez la vitre à la raclette en caoutchouc en décrivant des laies régulières de haut en bas. Au bas de chaque laie, essuyez et séchez la raclette ainsi que le bas de la fenêtre.

Décolleur de tapisserie (N° de réf. 2.863-076)

Le décolleur de tapisserie vous permet d'utiliser le nettoyeur à vapeur pour enlever les vieilles tapisseries.

• Procédure:

- Appliquez le décolleur de tapisserie sur toute sa surface au bord d'une laie de tapisserie et laissez agir la vapeur jusqu'à ce que la tapisserie soit complètement ramollie (10 secondes env.).
- Déplacez le décolleur de tapisserie sans couper l'alimentation en vapeur. Avec une spatule, soulevez la surface de tapisserie décollée et arrachez-la du mur.
- Si les tapisseries Ingrain ont été recouvertes de plusieurs couches de peinture, la vapeur risque de ne pas atteindre le support-papier. Dans ce cas, nous recommandons de passer préalablement un rouleau à aiguilles sur la tapisserie.

Chariot «Caddy»

6.962-239

**Kit de brosses rondes
à crins en laiton**

2.863-075

Kit de brosses rondes

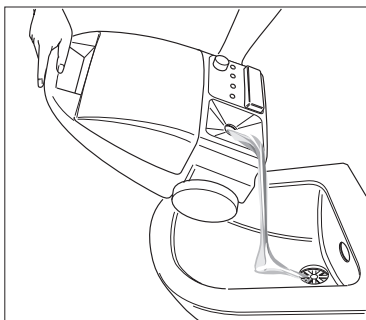
2.863-077

Chiffon en microfibras

6.905-921

3. Nettoyage, entretien, dérangements et remèdes

3.1 Nettoyage de la chaudière



Rinçage de la chaudière

- Pour nettoyer la chaudière, nous recommandons de la remplir d'eau et ensuite de la secouer vigoureusement. Ceci décolle les résidus de calcaire qui se sont déposés au fond de la chaudière. Ensuite, videz de nouveau l'eau. Les résidus de calcaire sont emportés par l'eau (voir la figure).
- Si l'eau de votre région n'est pas dure (jusqu'à 10 °dH), rincez la chaudière tous les 15 pleins de chaudière. Si sa dureté dépasse 15 °dH, rincez-la tous les 5 pleins.

Détartrage de la chaudière

Nous vous recommandons de détartrer l'appareil dès que le témoin de contrôle «Détartrage» s'allume.

- Pour enlever les résidus de calcaire tenaces qui se sont déposés sur les parois de la chaudière, nous recommandons de la nettoyer avec le détartrant.
- Pour effectuer le détartrage de votre nettoyeur à vapeur, utilisez exclusivement des produits Windsor autorisés afin de ne pas endommager l'appareil.

Procédure:

- Débranchez le nettoyeur à vapeur de la prise de courant.
- Videz complètement l'eau non inutilisée se trouvant encore dans la chaudière.
- Dans 0.5 gal (2 litre) d'eau chaude, dissolvez entièrement le contenu du sachet en remuant continuellement.
- Versez la solution dans la chaudière et laissez-la agir 8 heures env.



Pendant la procédure de détartrage, la fermeture de sécurité ne doit pas être vissée. Assurez-vous que personne n'utilise l'appareil tant que la solution détartrante se trouve dans la chaudière.

- Videz la chaudière comme indiqué sur la figure puis rincez-la au moins deux fois à l'eau froide pour vous assurer qu'aucun résidu de calcaire ne soit resté dans l'appareil.
- Mettez l'appareil en service.
- Appuyez sur le bouton-poussoir à réarmement jusqu'à ce que le témoin de contrôle «Détartrage» s'éteigne.
- Maintenant, votre nettoyeur à vapeur est prêt à servir. Au bout de 50 heures de service environ, le témoin de contrôle «Détartrage» s'allume pour signaler qu'il faut détartrer l'appareil.

Remarque: aucun détartrage nécessaire si l'appareil fonctionne exclusivement à l'eau déminéralisée (eau de batterie).

Lorsque le témoin de contrôle «Détartrage» s'allume, appuyez seulement sur le bouton-poussoir à réarmement jusqu'à ce que le témoin de contrôle s'éteigne.

Changement de filtre

- Si vous utilisez de l'eau salie, le filtre risque de se boucher. Vous vous en rendrez compte par un allongement inhabituel de la durée de marche de la pompe ou par une panne de fonctionnement complète. Dans ce cas, changez le filtre.

3.2 Que faire en cas de dérangement?

- Si le témoin de contrôle de manque d'eau s'allume parce que vous avez placé l'appareil à la verticale pendant le service, procédez comme l'indique la section «Rajouter de l'eau».
- En présence de dérangements d'une autre nature, ne confiez la réparation qu'au service après-vente (SAV) agréé.

4. Eléments de sécurité

Ce nettoyeur à vapeur est équipé de plusieurs dispositifs de sécurité et donc protégé de plusieurs façons. Les sections suivantes indiquent les éléments de sécurité les plus importants.

4.1 Régulateur de pression

Pendant le fonctionnement de l'appareil, le régulateur de pression maintient dans la chaudière une pression aussi constante que possible. Le chauffage s'éteint lorsque la pression de service maximale dépasse 3,2 bars dans la chaudière. Il se remet en marche lorsque la consommation de vapeur a provoqué une chute de la pression.

4.2 Thermostat de manque d'eau

Lorsque très peu d'eau reste dans la chaudière, la chaleur produite par le chauffage augmente. Le thermostat de manque d'eau coupe le chauffage et le témoin rouge de manque d'eau s'allume. Le chauffage se remet en marche lorsque la chaudière a refroidi ou après l'avoir à nouveau remplie.

4.3 Thermostat de sécurité

Si le thermostat de manque d'eau tombe en panne et que l'appareil surchauffe, le thermostat de sécurité éteint l'appareil. Pour réarmer le thermostat de sécurité, adressez-vous au SAV Windsor compétent.

4.4 Fermeture de sécurité

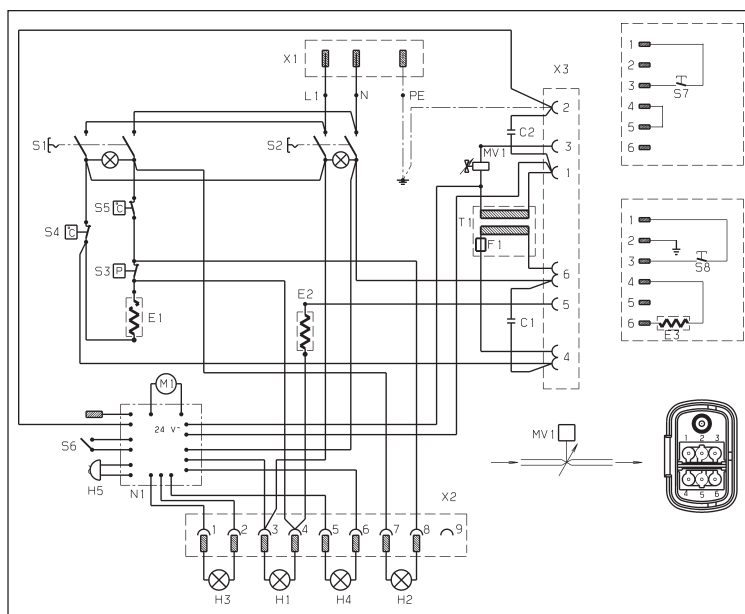
La fermeture de sécurité verrouille la chaudière afin de contenir la pression de la vapeur restante. Si le régulateur de pression tombe en panne et que la pression à l'intérieur de la chaudière dépasse 5,5 bars, une vanne de surpression s'ouvre dans la fermeture de sécurité et la vapeur s'échappe par la fermeture. Adressez-vous au SAV Windsor compétent avant de remettre l'appareil en service.

5. Données techniques

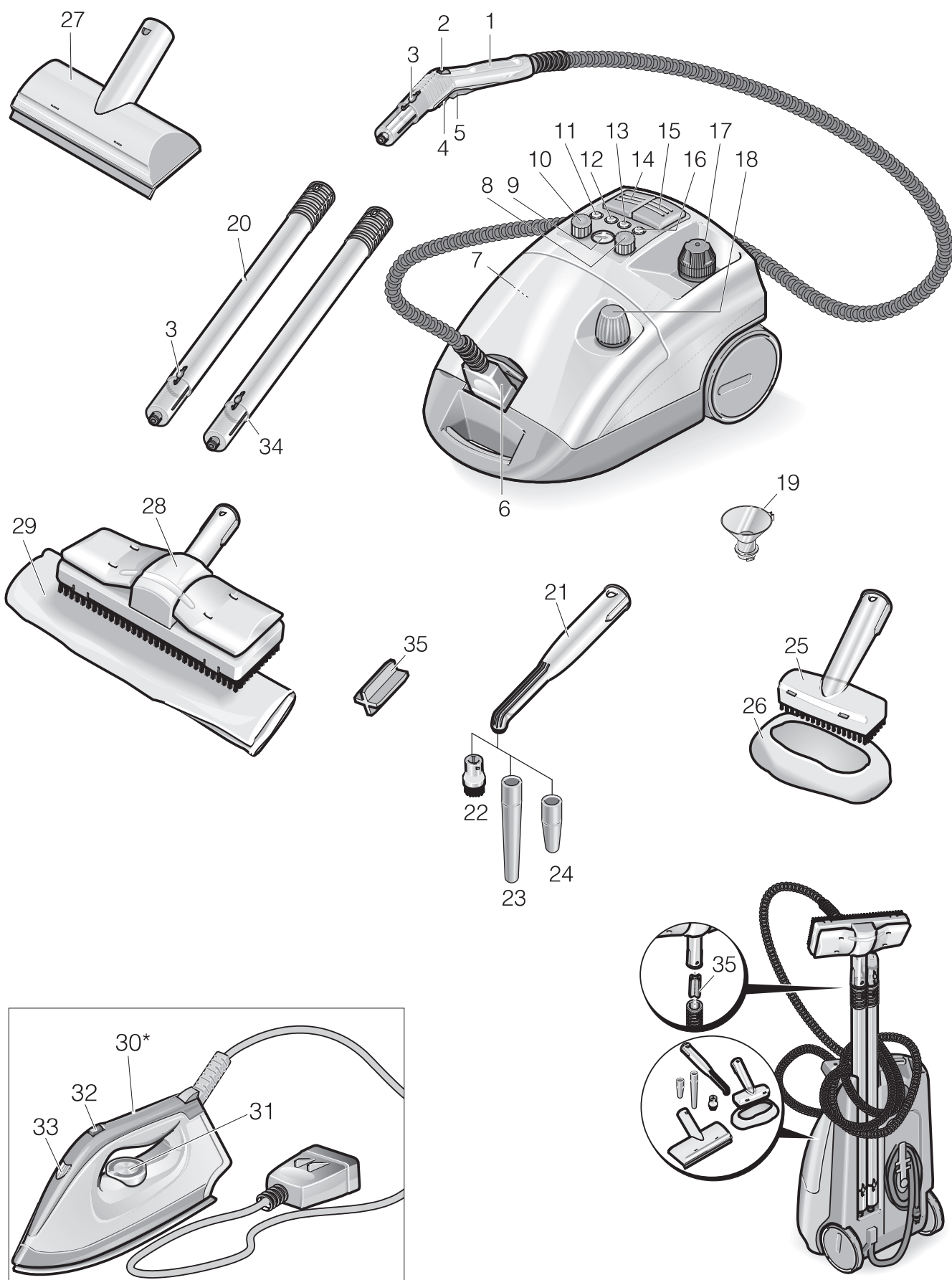
Branchement électrique		
Tension	120	V
Type de courant	60	Hz
Tension dans la poignée	24	V
Cordon de branchement au secteur, n° de réf.	6.647-791	
Performances		
Puissance de chauffe	1800	W
Pompe	50	W
Pression de service maxi.	46 (0.32)	psi (MPa)
Pression de service admissible	72 (0.5)	psi (MPa)
Durée de chauffage	ca. 21 (5.5)	min/gal (min/L) d' eau
Quantité de vapeur maxi.	2.6 (75)	oz/min (g/min)
Dimensions		
Poids sans les accessoires	18.0 (8.0)	lbs (kg)
Quantité d'eau remplissable	1.0 (4.0)	gal (L)
Contenance du réservoir	0.50 (2.0)	gal (L)
Contenance de la chaudière	0.65 (2.4)	gal (L)
Largeur	12 (305)	in (mm)
Longueur	19 (480)	in (mm)
Hauteur	10.5 (265)	in (mm)

Schéma des circuits électriques 0.087-983

- S1 Commutateur du chauffage
- S2 Commutateur d'alimentation en vapeur
- S3 Pressostat
- S4 Thermostat de sécurité
- S5 Thermostat de manque d'eau
- S6 Bouton-poussoir à réarmement: détartrage
- S7 Commutateur de vapeur sur la poignée
- S8 Commutateur de vapeur sur le fer à repasser
- H1 Témoin de contrôle du chauffage
- H2 Témoin de contrôle du manque d'eau
- H3 Témoin de contrôle du réservoir d'eau propre
- H4 Témoin de contrôle – Détartrage
- H5 Générateur de signaux
- E1 Chauffage, 1500 W
- E2 Chauffage, 750 W
- E3 Chauffage du fer à repasser, 750 W
- MV1 Electrovanne
- M1 Pompe
- N1 Carte électronique
- T1 Transformateur
- F1 Fusible
- C1, C2 Condensateur
- X1 Connecteur
- X2 Connecteur de raccordement
- X3 Connecteur de la conduite de vapeur



1. Puesta en marcha del aparato



1. Puesta en marcha del aparato

- 1 Pistola para aplicación del vapor
- 2 Ruedecilla para regular el caudal del vapor
- 3 Pulsador de desenclavamiento
- 4 Enclavamiento (seguro para niños)
- 5 Interruptor de alimentación de vapor en la pistola
- 6 Toma de vapor (acoplamiento monobloque de la manguera de vapor)
- 7 Pulsador de reposición de la función de desincrustación
- 8 Mando giratorio para la regulación de la humedad del vapor «VAPOHYDRO»
- 9 Indicador de temperatura
- 10 Mando giratorio para la alimentación de vapor
- 11 Piloto de aviso «Desincrustación de la caldera» (blanco)
- 12 Piloto de aviso para la falta de agua en el depósito adicional (rojo)
- 13 Piloto de aviso del interruptor de la calefacción (amarillo)
- 14 Interruptor de la calefacción
- 15 Interruptor para la alimentación de vapor
- 16 Piloto de aviso para la falta de agua en la caldera (rojo)
- 17 Cierre de seguridad
- 18 Cierre (tapón roscado) del depósito adicional
- 19 Embudo de llenado
- 20 Tubos de prolongación
- 21 Boquilla de chorro concentrado
- 22 Cepillo circular
- 23 Elemento de prolongación
- 24 Boquilla superpotente (roja)
- 25 Boquilla para tapicerías (limpieza manual)
- 26 Funda de tejido de rizo
- 27 Boquilla para la limpieza de ventanas*
- 28 Boquilla barredora de suelos
- 29 Paño de limpieza grande, para la boquilla barredora de suelos
- 30 Plancha*
- 31 Regulador de temperatura
- 32 Interruptor para el planchado con vapor
- 33 Piloto de aviso para el funcionamiento de la calefacción de la plancha
- 34 Soporte
- 35 Soporte para el ensamblaje de la tobera de suelos

* Accesorios opcionales

1.1 Desembalar el aparato

- Si al desembalar el aparato comprobara Vd. algún daño o desperfecto en el mismo, rogamos se dirija inmediatamente al Distribuidor en donde adquirió el aparato.

- No tire el embalaje del aparato y sus elementos al cubo de la basura. Entréguelo en los Puntos o Centros Oficiales de recogida para su reciclaje o recuperación (protección del medio ambiente).

1.2 Montar los accesorios

- Introducir el acoplamiento monobloque de la manguera de vapor en la correspondiente toma de vapor del aparato. Prestar atención a que el saliente del acoplamiento monobloque encaje en la tapa de la toma de vapor del aparato.
- Acoplar el accesorio específico que vaya a utilizarse (boquilla barredora de suelos, boquilla para limpieza manual o boquilla de chorro concentrado) a la pistola de aplicación de vapor.
- En caso necesario pueden acoplarse los tubos de prolongación. Para ello se han de empalmar éstos, haciendo enclavar el pulsador de enclavamiento y desenclavamiento.
- Para desacoplar los diferentes accesorios, presionar el pulsador de enclavamiento y desenclavamiento.

1.3 Rellenar agua en el aparato

- Retirar el cierre de seguridad del aparato.
- Llenar un máximo de 0.5 gal (2 litros) de agua de red en la caldera con ayuda del embudo. En caso de agregar agua caliente, se acorta la duración del período de calentamiento del agua.

Advertencia: La caldera puede llenarse, estando colocado el aparato en posición horizontal, hasta 0.75 in (2 cm) debajo del borde la boca de llenado.

- No agregar ningún tipo de detergente.
- Volver a montar el cierre de seguridad en el aparato y apretarlo.

Depósito de agua adicional

Para lograr unos intervalos de trabajo activo más prolongados puede llenarse el depósito de agua adicional.

- Soltar y retirar el tapón roscado del depósito.
- Llenar un máximo de 0.5 gal (2 litros) de agua de red en el depósito adicional con ayuda del embudo.
- Colocar el tapón roscado en su sitio y fijarlo.

1. Puesta en marcha del aparato

1.4 Puesta en marcha del aparato

- Introducir el cable de conexión del aparato en una toma de corriente. Conectar el aparato accionando el interruptor para la alimentación de vapor y el interruptor de la calefacción. Los pilotos de aviso tienen que iluminarse.

Atención: El aparato sólo llega a desarrollar su máxima potencia de calentamiento si el acoplamiento monobloque de la manguera de vapor (6) se encuentra acoplado al aparato en el momento de iniciarse el ciclo de calentamiento.

- Una vez que el piloto de aviso de la calefacción se apaga, el sistema está en disposición de funcionamiento.

Advertencia: No colocar el aparato en posición vertical estando conectado. De lo contrario, la calefacción se apaga al cabo de pocos instantes, iluminándose el piloto de aviso para la falta de agua (rojo).

- Desconectar el interruptor de la calefacción al transportar el aparato.
- Al accionar el interruptor de aplicación del vapor en la empuñadura de la pistola, sale vapor por la pistola. Proyectar primero el vapor sobre un paño, hasta sea proyectado de modo regular.
- El piloto de aviso de la calefacción se ilumina y apaga durante el servicio del aparato en función del consumo de vapor, a fin de mantener constante la presión en el interior de la caldera.
- Al conectar la limpiadora sin haber agua en la caldera, se ilumina primero el piloto de aviso de la calefacción, hasta que el termostato para la falta de agua la desconecte. A continuación se ilumina el piloto de aviso para la falta de agua.

1.5 Rellenar agua

Advertencia: En caso de agotarse el agua del depósito adicional se escucha una señal acústica de aviso y se ilumina el piloto de aviso para la falta de agua en el depósito adicional.

- Llenar un máximo de 0.5 gal (2 litros) de agua de red en el depósito adicional con ayuda del embudo.
- Tan pronto como se apaga el piloto de aviso del interruptor de la calefacción el aparato está en disposición de funcionamiento.

Advertencia: En caso de que la bomba no transportara agua a pesar de estar lleno el depósito adicional, hay que desincrustar la caldera (véase al respecto el capítulo 3.1, apartado «Desincrustación de la caldera»).

1.6 Desconexión del aparato

- Desconectar el aparato a través de los interruptores.
- Extraer el acoplamiento monobloque de la manguera de vapor del aparato, levantando para ello la tapa de la toma de vapor del aparato.
- Extraer el enchufe de conexión del aparato, de la toma de corriente.
- El agua residual que pudiera encontrarse en la caldera puede dejarse en la misma.

1.7 Desplazamiento del aparato

Si se está trabajando con los tubos de prolongación y la boquilla barredora de suelos, el aparato también se puede desplazar y transportar fácilmente por encima de peldaños o escaleras.

- Para ello se desconecta la calefacción a través del interruptor y se coloca el aparato en posición vertical, encajando el tubo de prolongación con el soporte que se encuentra en la parte inferior del cuerpo de la limpiadora.

1.8 Guardar el aparato

- Colocar la boquilla de limpieza manual, la boquilla de chorro concentrado y las restantes piezas pequeñas en el compartimento específico para los accesorios.
- Enrollar el cable de conexión del aparato en torno al soporte que se encuentra en el fondo del mismo. Montar la boquilla barredora de suelos sobre uno de los tubos de prolongación e introducir los dos tubos en los alojamientos correspondientes que figuran en el fondo del aparato.
- Antes de guardar los cepillos o boquillas con cepillos, dejar enfriar primero las cerdas de éstos, a fin de evitar las posibles deformaciones de las cerdas.

2. Advertencias para la aplicación práctica del aparato

2.1 Observaciones de carácter general

Una limpieza previa a fondo de las superficies antes de limpiarlas con la limpiadora de vapor es el punto más importante a observar en la limpieza con vapor. Es decir: En las zonas o superficies que se han limpiado durante años de un modo convencional aplicando detergentes, los restos de éstos han formado unos depósitos que se han de eliminar primero mediante una limpieza básica. Con la limpiadora de vapor se desprenden las capas de suciedad acumuladas tal como se describe más abajo, recogiénolas con un paño. Según el grado de suciedad se necesitarán uno o dos ciclos de limpieza hasta eliminar completamente la suciedad. El resultado será un suelo limpio, sin franjas. Lo mismo ocurre con las ventanas o superficies acristaladas. La limpiadora de vapor no puede eliminar directamente los depósitos calcáreos muy gruesos. En el apartado correspondiente a la limpieza de las zonas húmedas y sanitarias, sin embargo, se describe de qué modo se pueden eliminar también estas capas con la limpiadora de vapor.

2.2 Advertencias y consejos especiales

Limpieza de materiales textiles

Antes de proceder a la eliminación de manchas y a la limpieza de materiales textiles, deberá hacerse primero una prueba en un lugar poco visible del objeto a limpiar, a fin de evitar posibles daños del mismo. Para ello se aplica intensamente vapor sobre dicho lugar, dejándolo secar a continuación. De este modo se puede comprobar si se producen decoloraciones o deformaciones en el tejido.

Limpieza de superficies recubiertas de capas protectoras o barnizadas

En caso de limpiar con vapor superficies u objetos de madera tratada (muebles de cocina o comedor, puertas, etc.), así como superficies pintadas, barnizadas o recubiertas de capas de plástico con vapor, deberá tenerse muy en cuenta que la exposición prolongada a la acción del vapor de estos objetos, puede conducir a la disolución o desprendimiento de las capas de cera, lustre para muebles, revestimiento o pintura. Por ello aconsejamos proyectar el vapor sólo muy brevemente sobre estas superficies y materiales, o bien limpiarlas con un paño sobre el que se ha proyectado previamente el vapor.

Limpieza de ventanas y superficies acristaladas Las superficies acristaladas expuestas a diferentes

temperaturas, pueden saltar. Por ello, particularmente al registrarse bajas temperaturas exteriores, deberá aplicarse primero una fina capa de vapor sobre los cristales a limpiar, con objeto de compensar las diferencias de temperatura y evitar tensiones en la superficie de los cristales. No aplicar el vapor sobre las zonas selladas de las ventanas.

2.3 Regulación del caudal del vapor a través del mando giratorio en el aparato

- En caso de trabajar con el accesorio estándar o una plancha, el caudal del vapor se puede regular a través del mando giratorio del aparato.

2.4 Regulación del caudal de vapor a través de la ruedecilla en la pistola

- En caso de trabajar con los accesorios de serie del aparato, se puede regular el caudal de vapor a través del mando a través del mando giratorio (ruedecilla) de la pistola. El mando giratorio en el cuerpo del aparato está inactivo.

Atención: En caso de estar ajustado el mando giratorio a la posición «Pequeño caudal», al soltar el interruptor de alimentación de vapor en la pistola, puede salir brevemente vapor a través de ésta, hasta haber evacuado la presión residual de la manguera de alimentación de vapor. Esta operación se puede acelerar girando brevemente el mando regulador del caudal de vapor a la posición «Gran caudal».

2.5 Regulación de la humedad del vapor «VAPOHYDRO»

- La suciedad acumulada en las zonas húmedas (cuarto de baño, inodoro...) también se puede desprender y eliminar con el chorro de vapor en lugar de recogerla con un paño. Para ello se ajusta el grado de humedad del vapor a través del mando giratorio. Cuanto mayor sea el grado de humedad del vapor, más agua contiene el chorro de vapor, lográndose así un mayor efecto de enjuague. Girando el mando completamente hasta la posición «+», se logra el máximo efecto de enjuague al producirse un chorro de agua caliente.
- Para la limpieza del cuarto de baño aconsejamos aplicar la opción «Vapohydro» en combinación, por ejemplo, con la boquilla de chorro concentrado.
- En caso de trabajar con paños colocados en las

2. Advertencias para la aplicación práctica del aparato

boquillas barredora de suelos o para tapicerías, girar el mando completamente a la posición «-», a fin de trabajar con un mínimo grado de humedad en el chorro de vapor. De este manera se mejora la fuerza de desprendimiento de la suciedad, del chorro de vapor.

Advertencia: Colocando el mando de la regulación de la humedad del vapor «Vapohydro» en la posición de máximo ajuste «+», el depósito del agua del aparato se vacía con mayor rapidez.

2.6 Indicador de temperatura

- Este indicador señala si se está trabajando en el margen de temperatura correcto (zona verde).

2.7 Pistola de vapor

- La pistola de vapor, sin boquillas acopladas, puede utilizarse para
 - la eliminación de malos olores y arrugas en las prendas de vestir;
 - la eliminación del polvo acumulado sobre plantas (¡distancia de trabajo aproximadamente 12 in (30 cm)!);
 - limpieza en húmedo del polvo acumulado sobre objetos y superficies. Para ello se proyecta una ligera capa de vapor sobre la superficie a limpiar, secándola a continuación con un paño seco y limpio.

2.8 Boquilla de chorro concentrado

- La boquilla de chorro concentrado se puede acoplar, según el caso, directamente sobre la pistola de aplicación del vapor o sobre los tubos de prolongación empalmados a la pistola de vapor.
- La potencia limpiadora aumenta cuanto más próxima esté la boquilla del objeto a limpiar, dado que la temperatura y la presión alcanzan su máximo grado de eficacia inmediatamente después de abandonar el aparato.
- La boquilla de chorro concentrado puede utilizarse para la limpieza de
 - zonas y puntos de difícil acceso, como por ejemplo esquinas y rincones, juntas, etc.
 - persianas, radiadores de calefacción
 - inodoros
 - objetos de acero inoxidable, ventanas, espejos
 - llaves y grifos

- superficies provistas de revestimientos de capas protectoras o esmaltadas
- interiores de vehículos
- separación y eliminación de manchas

- Utilizar el elemento de prolongación para limpiar zonas particularmente inaccesibles como ranuras, juntas, etc.
- La boquilla superpotente aumenta notablemente la velocidad de proyección del vapor. Por esto es apropiada para
 - la eliminación de suciedad particularmente resistente y fuertemente adherida
 - así como la limpieza de esquinas, juntas, rincones, etc.

Atención: El cepillo circular no es apropiado para la limpieza de superficies sensibles.

2.9 Boquilla barredora de suelos

- Utilizar la boquilla barredora acoplada a los tubos de prolongación en caso necesario. La boquilla se emplea en la limpieza de todas las grandes superficies de material susceptible de ser lavado. Para ello se coloca la boquilla sobre un paño grande, limpio y seco, que se fija a ésta con ayuda de las pinzas de sujeción laterales de la boquilla.
- El grado de absorción de la suciedad del paño se puede mejorar volviéndolo regularmente.
- Para la limpieza de superficies con elevado grado de suciedad, deberá trabajarse lentamente a fin de prolongar el tiempo de actuación del vapor.
- Si en el suelo a limpiar se encontraran restos de detergentes de anteriores limpiezas, pueden producirse franjas. Las franjas, sin embargo, desaparecen por regla general tras varias aplicaciones de la limpiadora de vapor.

2.10 Boquilla para tapicerías

- La boquilla puede acoplarse, en caso de necesidad, a los tubos de prolongación.
- Esta boquilla, con la funda de tejido de rizo montada, es apropiada para la limpieza de
 - pequeñas superficies lavables
 - revestimientos textiles de los muebles de tapicería
 - superficies sensibles

2. Advertencias para la aplicación práctica del aparato

2.11 Accesorios opcionales

Sólo deberán usarse accesorios y repuestos homologados por el Fabricante.

Plancha (Nº de pedido 6.959-262)

- Introducir el acoplamiento monobloque de la manguera de vapor de la plancha en la correspondiente toma de vapor del aparato.

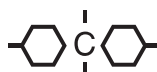
Planchado con vapor

- Girar el mando para la regulación de la humedad del vapor «VAPOHYDRO» completamente hasta la posición «←».
- Ajustar la temperatura, para el planchado general de prendas, con ayuda del regulador de temperatura giratorio a la posición mínima ***. El vapor proyectado por la plancha impide el sobrecalentamiento del tejido.
- Cuanto más elevada sea la temperatura ajustada en el regulador, más seco sale el vapor, aunque el caudal del mismo no se modifica.
- Una vez que el piloto de aviso de la plancha se ha apagado, la plancha está en disposición de funcionamiento.
- Al pulsar el interruptor para aplicación de vapor, abre una electroválvula y el vapor es proyectado a través de la planta de la plancha. En caso de desplazar el interruptor hacia adelante, se produce la salida continua del vapor. Si se desplaza el interruptor hacia atrás, se producen ráfagas de vapor.
- Proyectar el vapor primero contra un paño hasta que no salga agua por la boquilla.
- Ajustar en el regulador del caudal de vapor el caudal de vapor deseado.
- Para proyectar vapor y planchar cortinas, vestidos y objetos semejantes, la plancha se puede colocar y emplear en posición vertical.

Planchado en seco

- Para planchar en seco, sin vapor, se conecta el interruptor de alimentación de vapor del aparato y se desconecta el interruptor de la calefacción.
- Ajustar la temperatura apropiada, en función del tipo de tejido, con ayuda del regulador de temperatura giratorio de la plancha.

Fibra sintética



Lana



Lienzo



Boquilla para la limpieza de ventanas (Nº de pedido 4.130-145)

- Acoplar la boquilla para la limpieza de ventanas directamente sobre la pistola de aplicación de vapor. En caso necesario, acoplarla a los tubos de prolongación.
- Aplicar uniformemente el vapor sobre la superficie acristalada a limpiar desde una distancia de 8 in (20 cm). Desconectar a continuación la alimentación de vapor y limpiar el cristal, trabajando por tramos y desde arriba hacia abajo, con el borde de goma. Secar el borde de goma de la boquilla y el borde inferior del marco de la ventana tras cada tramo limpio.

Boquilla para despegar papeles pintados (Nº de pedido 2.863-076)

Combinando la boquilla para despegar papeles pintados con la limpiadora de vapor, se despegan con toda eficacia y facilidad prácticamente todos los tipos de papeles pintados.

- Modo de proceder:
 - Colocar la boquilla sobre el borde de una tira de papel y dejar actuar el vapor hasta que el papel esté ablandado (aprox. 10 segundos).
 - Desplazar la boquilla, sin dejar de aplicar vapor. Desprender la tira de papel ablandado con una espátula y retirarla de la pared.
 - En los papeles de fibra gruesa con varias capas de pintura, puede ser que el vapor no llegue a traspasar las capas de pintura para despegar el papel. En este caso deberá desbastarse la superficie del papel aplicando un rodillo de púas sobre el mismo.

Carro de transporte 6.962-239

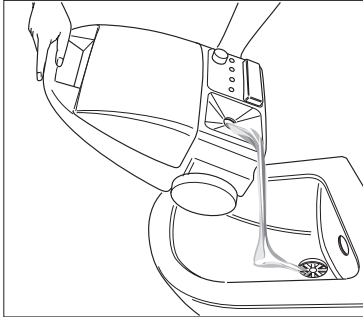
Cepillo circular con cerdas de latón 2.863-075

Juego de cepillos circulares 2.863-077

Paño de microfibra 6.905-921

3. Trabajos de cuidado y mantenimiento, localización de averías

3.1 Limpieza de la caldera



Enjuagar la caldera

- Para limpiar la caldera aconsejamos llenarla de agua y agitarla fuertemente. De este modo se desprenden las incrustaciones de cal que pudieran haberse acumulado en el fondo de la misma. Al vaciar la caldera, se eliminan las incrustaciones de cal desprendidas. (Véase la ilustración correspondiente).
- Enjuagar la caldera, en zonas de agua de red blanda (hasta 10° de dureza alemana), como mínimo tras cada 15 llenados de la caldera. En zonas de agua de red dura, hacer lo propio como mínimo tras cada 5 llenados de la caldera.

Desincrustación de la caldera

Se aconseja desincrustar el aparato cuando se ilumine el piloto de aviso «Desincrustación de la caldera»

- Para eliminar las incrustaciones y sedimentaciones de cal en las paredes de la caldera, aconsejamos limpiarla con el agente desincrustante.
- Con objeto de evitar daños en el aparato sólo deberán emplearse para la desincrustación de la caldera los productos y agentes homologados o autorizados por el Fabricante.

Modo de proceder:

- Extraer el cable de conexión del aparato de la red eléctrica.
- Vaciar completamente el agua residual que pudiera haber en la caldera .
- Disolver el contenido de dos bolsas de agente desincrustante en 0.5 gal (2 litros) de agua templada, sin dejar de remover la mezcla.
- Llenar la solución desincrustante en la caldera y dejarla actuar durante 8 horas.



Durante el proceso de desincrustación no se deberá montar en ningún caso el cierre de seguridad en la limpiadora. Cerciórese de que el aparato no sea usado mientras haya agente desincrustante en la caldera.

- Vaciar la caldera volcándola por una de sus esquinas. Enjuagarla con agua fría como mínimo dos veces, hasta asegurar que no queden residuos en la caldera.
- Poner el aparato en funcionamiento.
- Oprimir el pulsador para reposición de la función de desincrustación hasta que el piloto de aviso «Desincrustación de la caldera» se apague.
- Su limpiadora de vapor está en disposición de funcionamiento. Al cabo de unas 50 horas de funcionamiento, el piloto de aviso «Desincrustación de la caldera» vuelve a señalar la necesidad de efectuar una desincrustación.

Advertencia: En caso de usar exclusivamente agua desmineralizada (agua para baterías), no es necesario efectuar la desincrustación de la caldera. En este caso, al iluminarse el piloto de aviso «Desincrustación de la caldera», sólo hay que oprimir el pulsador para reposición de la función «Desincrustación de la caldera» hasta que el piloto de aviso se apague.

Cambio de filtro

- En caso de haber utilizado agua con impurezas, el filtro puede quedar resultar obstruido. Esto se manifiesta en forma de unos prolongados ciclos de trabajo de la bomba o su avería. En este caso hay que sustituir el filtro.

3.2 ¿Qué hacer en caso de avería?

- En caso de iluminarse el piloto de aviso para la falta de agua por haber colocado el aparato en posición vertical durante su funcionamiento, deberá procederse del mismo modo que se señala en el punto «Rellenar agua en la caldera».
- En caso de producirse otras averías o perturbaciones, avisar al Servicio Técnico Postventa.

4. Elementos y equipos de seguridad

Esta limpiadora de vapor está equipada con varios sistemas de seguridad. A continuación pasamos a detallar las características y funcionamiento de los más importantes.

4.1 Regulador de presión

El regulador de presión permite mantener la presión de la caldera al nivel más constante posible durante el funcionamiento del aparato. La calefacción se desconecta al alcanzarse la máxima presión de servicio admisible de 3,2 bares, volviéndose a conectar al registrarse descensos de la presión a causa del consumo de vapor que se produce.

4.2 Termostato para la falta de agua

Al estar a punto de consumirse el agua de la caldera, aumenta la temperatura de la pared de ésta. El termostato para la falta de agua desconecta la calefacción y el piloto de aviso contra la falta de agua rojo se ilumina.

El termostato no permite una nueva conexión de la calefacción, mientras la caldera no se haya enfriado o no se haya vuelto a llenar agua en ésta.

4.3 Termostato de seguridad

En caso de que el termostato para la falta de agua estuviera defectuoso y se sobrecalentara el aparato, el termostato de seguridad desconecta la limpiadora. Consulte con el Servicio Técnico Postventa de Windsor antes de volver a poner el aparato en marcha.

4.4 Cierre de seguridad

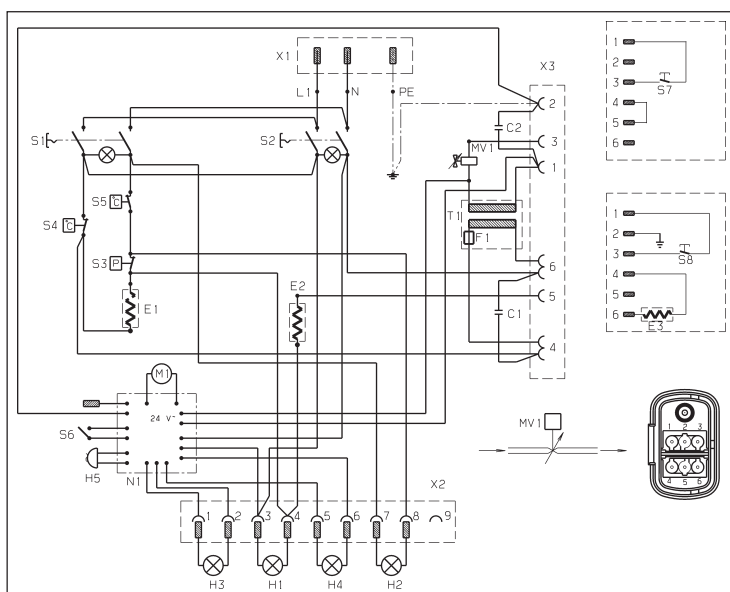
Este aparato está equipado con un cierre de seguridad especial. Por esta razón no es posible abrirlo mientras exista aún vapor a presión en el interior del aparato. En caso de que el regulador de presión estuviera defectuoso y la presión de la caldera fuera superior a los 5,5 bares, se abre una válvula de seguridad integrada en el cierre, evacuándose a través de la misma una parte del vapor. Consulte con el Servicio Técnico Postventa de Windsor antes de volver a poner el aparato en marcha.

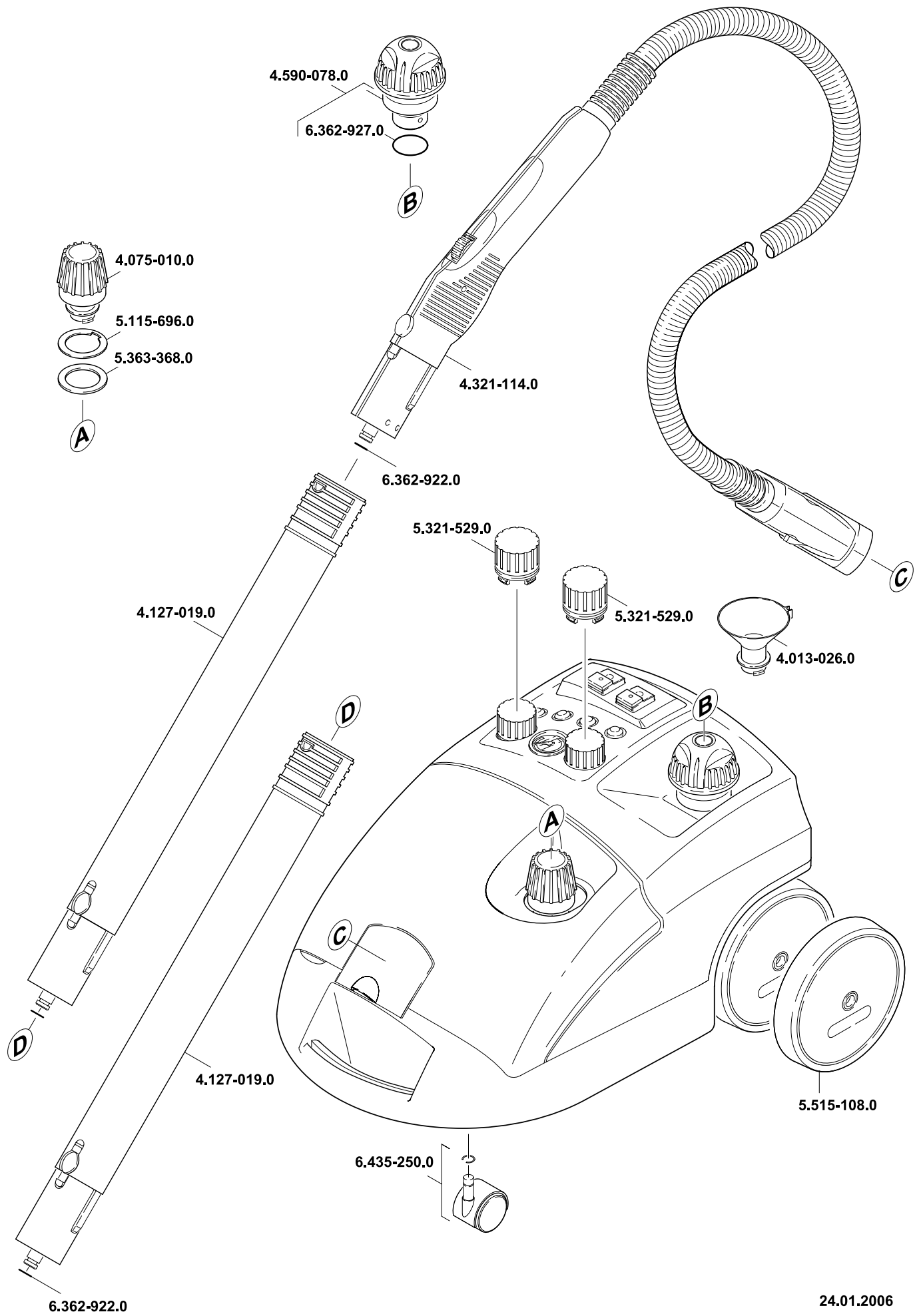
6. Características Técnicas

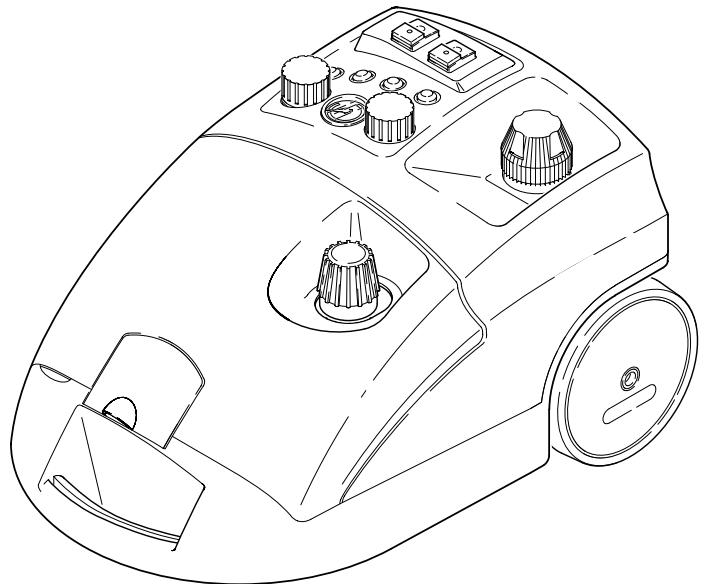
Conexión a la red eléctrica		
Tensión	120	V
Tipo de corriente	60	Hz
Tensión en la empuñadura	24	V
Cable de conexión a la red eléctrica, N° de pedido	6.647-791	
Potencia y rendimientos		
Potencia de calefacción	1800	W
Bomba	50	W
Máxima presión de la caldera	46 (0.32)	psi (MPa)
Máxima presión de servicio admisible	72 (0.5)	psi (MPa)
Duración del ciclo de calefacción	ca. 21 (5.5)	min/gal (min/L) agua
Máximo caudal del vapor	2.6 (75)	oz/min (g/min)
Medidas		
Peso (sin accesorios)	18.0 (8.0)	lbs (kg)
Máxima capacidad del recipiente	1.0 (4.0)	gal (L)
Capacidad del depósito de agua	0.50 (2.0)	gal (L)
Máxima capacidad de la caldera	0.65 (2.4)	gal (L)
Anchura	12 (305)	in (mm)
Longitud	19 (480)	in (mm)
Altura	10.5 (265)	in (mm)

Esquema de circuitos eléctricos N° 0.087-983

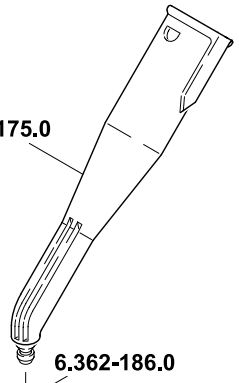
- S1 Interruptor de la calefacción
- S2 Interruptor de la alimentación de vapor
- S3 Presostato
- S4 Termostato de seguridad
- S5 Termostato para la falta de agua
- S6 Pulsador de reposición de la función de desincrustación
- S7 Interruptor para la alimentación de vapor en la pistola
- S8 Interruptor para la alimentación de vapor en la plancha
- H1 Piloto de aviso para el funcionamiento de la calefacción
- H2 Piloto de aviso para la falta de agua
- H3 Piloto de aviso del depósito de agua limpia
- H4 Piloto de aviso «Desincrustación de la caldera»
- H5 Transmisor de señales
- E1 Calefacción 1.500 W
- E2 Calefacción 750 W
- E3 Calefacción de la plancha 750 W
- MV1 Electroválvula
- M1 Bomba
- N1 Sistema electrónico
- T1 Transformador
- F1 Fusible
- C1, C2 Condensador
- X1 Enchufe
- X2 Acoplamiento del enchufe
- X3 Enchufe de la línea de alimentación de vapor







4.130-175.0

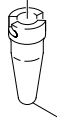


6.362-186.0

5.762-236.0



6.362-924.0

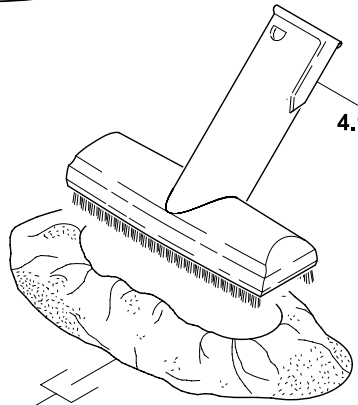


5.762-139.0

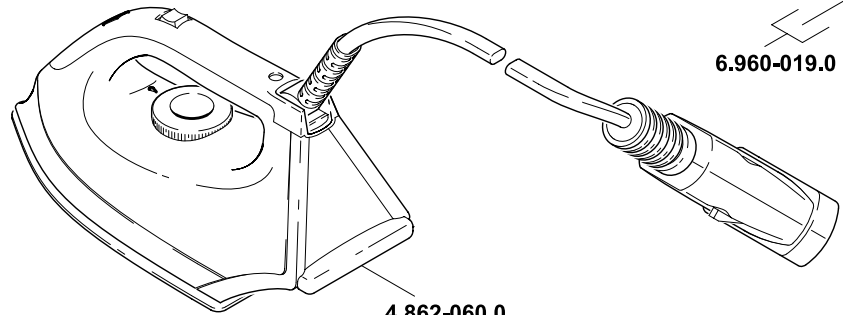
2.863-077.0



4.130-144.0



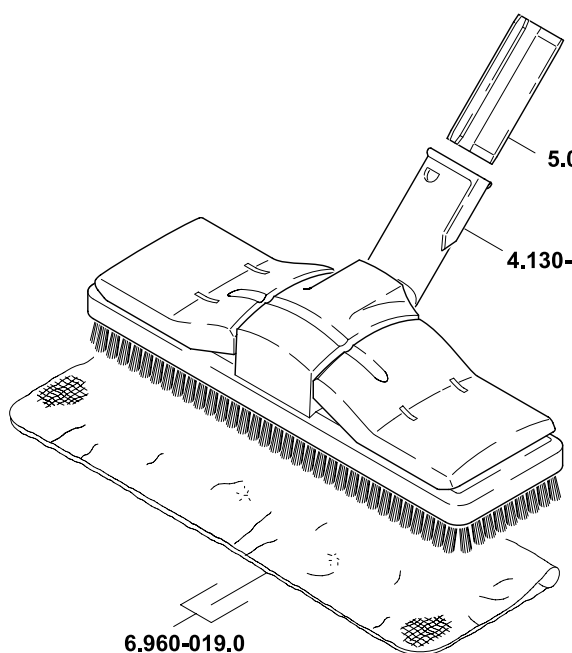
6.960-019.0



4.862-060.0

5.031-467.0

4.130-143.0



6.960-019.0

WINDSOR INDUSTRIES

North American New Machine Warranty

Effective on all products shipped AFTER March 31, 2010

Limited Warranty

Windsor warrants new machines against defects in material and workmanship under normal use and service to the original purchaser. Any statutory implied warranties, including any warranty of merchantability or fitness for a particular purpose, are expressly limited to the duration of this written warranty. Windsor will not be liable for any other damages, including but not limited to indirect or special consequential damages arising out of or in connection with the furnishing, performance, use or inability to use the machine. This remedy shall be the exclusive remedy of the buyer.

The warranty period is subject to the conditions stated below.

10 / 3 Warranty: 10 Years Polyethylene (PE) Housings, 3 Years Parts, and Service Labor

Subject to conditions outlined below, Windsor warrants rotationally molded PE housings and parts on all of its machines to be free from defects in material and workmanship, under normal use and service for ten (10) years to the original owner.

Under this warranty we guarantee the performance of non-polyethylene parts and components to be free from defects for up

to three (3) years to the original end user. Parts replaced or repaired under this warranty are guaranteed for the remainder of the original warranty period. (See table below)

Service labor charges are covered for up to three (3) years from the date of purchase through authorized Windsor service provider. No travel coverage is extended for cord-electric models. See table below for each general product model warranty coverage.

Upright Vacuums:

Product	Non- PE Parts		Service Labor
Versamatic® / Flexamatic® / Access	Belts	Lifetime	1 year
	Vacuum Motor, Swivel Neck and Chassis	3 years	3 years
	Brush Motor and Bag Housing	5 years	5 years
SENSOR®	Belts	Lifetime	1 year
	Vacuum Motor and Chassis	2 years	2 years
	Bag Housing	5 years	5 years

Upright Vacuums Exceptions and Exclusions:

Normal wear items not limited to brushes, foot pedal, cords, clutches, filters, gaskets, hoses, and bearings will be warranted for

manufacturing defects for 90 days from the purchase date. All other items are 1 year parts and labor.

All Other Products:

Product	PE Housing & Parts	Non- PE Parts	Service Labor	Travel
Rider / Stand up Scrubbers	10 years	3 years or 2000 hours	3 years or 2000 hours	6 Months
Rider Sweepers	10 years	3 years	3 years	6 Months
Walk Behind Scrubbers	10 years	3 years or 2500 hours	3 years or 2500 hours	6 Months
Walk Behind Sweepers	10 years	3 years	3 years	6 Months
Battery Burnishers	10 years	3 years	3 years	6 Months
Extractors / Compass	10 years	3 years	3 years	-
Polishers / Elec. Burnishers / GH / iCapsol Mini	10 years	3 years	3 years	-
Wide Areas Vacuums	10 years	3 years	3 years	-
VacPak Vacuums	10 years	1 year	1 year	-
Tracer/Flex Sweepers/Scrubbers	10 years	3 years	3 months	90 days
Air Movers / Dri-matic / TITAN™ /Rombus/Priza	1 year	1 year	1 year	-
Canister Vacuum	1 year	1 year	1 year	-
Wet/Dry Vacuum	1 year	1 year	1 year	-
Broom	1 year	1 year	1 year	-
Steamer	1 year	1 year	1 year	-
Propane Burnishers / Strippers	-	2 years	1 year	-

Product exceptions and Exclusions:

- Extractor brush motors, **ALL** pump motors, **ALL** PC boards and electronics, **ALL** Vacuum motors, **ALL** pumps, and diaphragms/Tank bags carry a one (1) year parts and service labor warranty.
- The Eagle-Robin® engines have three (3) year manufacturer's warranty. The Honda® and Kawasaki® engines have

two (2) year manufacturer's warranty.

NOTE: The engine warranty is administered through the engine manufacturer and must be repaired at an authorized service center.

Normal wear items and accessories including, but not limited to, belts, brushes, carbon brushes, clutches, cords, filters, finishes, gaskets, hoses, light bulbs,

squeegees, bearings, actuating cables, tires, and propane tanks will be warranted for manufacturing defects for 90-days from the purchase date. The warranty commences on the purchase date by the original end user from an authorized Windsor agent, subject to proof of purchase. The Machine Registration Card must be completed and returned immediately at the time of purchase. If proof of purchase cannot be

identified, the warranty start date is 90 days after the date of sale to an authorized Windsor distributor. Parts replaced or repaired under warranty are guaranteed for the remainder of the original warranty period.

90 Day Warranty Extension Available

Upon receipt of the Machine Registration Card, Windsor will extend by 90 days, from the date of purchase, all items included under the one-year provision. This applies only to one-year items and does not include 90-day wear items.

This Warranty Shall Not Apply To:

- 1 Any product that has been subject to abuse, misuse, neglect or unauthorized alteration (including the use of incompatible or corrosive chemicals or overloading of capacity).
- 2 Products that have experienced shipping or freight damage.
- 3 Repairs necessary to correct any failure due to improper pre-delivery service and inspection by the selling dealer.
- 4 Excessive time for cleaning units in preparation for repair.
- 5 Any repairs resulting from poor initial service work or improper diagnosis.
- 6 Tune-up parts such as plugs, plug wires and condensers.
- 7 Any design alterations performed by an organization not authorized or specified by Windsor.
- 8 Battery and charger warranties are handled directly with the manufacturer (Trojan® batteries and Lester® chargers).
- 9 High-pressure washing
- 10 Electrical components exposed to moisture.

If difficulty develops during the warranty period, contact the authorized Windsor agent from whom the product was purchased. Windsor Industries, Inc. may elect to require the return of components to validate a claim. Any defective part to be returned must be shipped freight prepaid to an authorized Windsor Distributor/Service Center or to the Windsor factory.

Use Of Parts Not Approved By Windsor Industries, Inc. Will Void All Warranties

This warranty is valid only for all products Shipped/Sold **AFTER** March 31, 2010. A product sold before that date shall be covered by the limited warranty in effect at the date of sale to the original purchaser.

Windsor Industries reserves the right to change its warranty policy without notice – 86019540 Rev 107

Windsor - 1351 West Stanford Avenue - Englewood, CO 80110 USA
Tel 800-444-7654 • Financial Service 800-804-6804 • Fax 866-271-0520 • email: info@windsorind.com • www.windsorind.com

A member of KÄRCHER North America