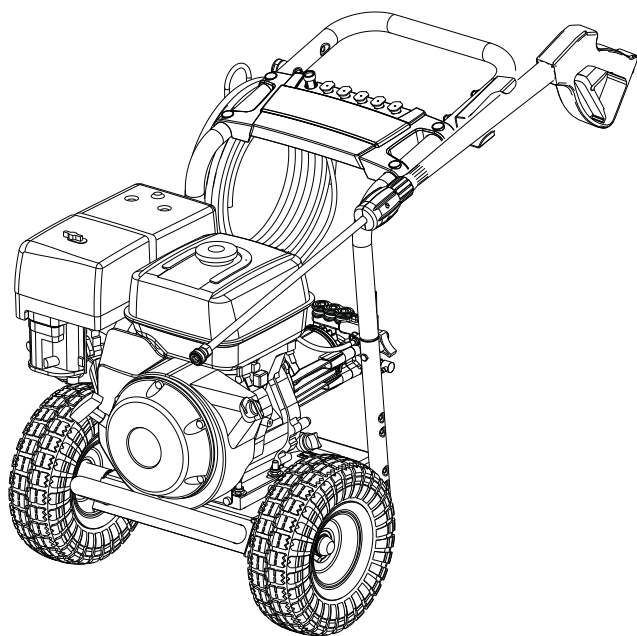


G 4000 OH



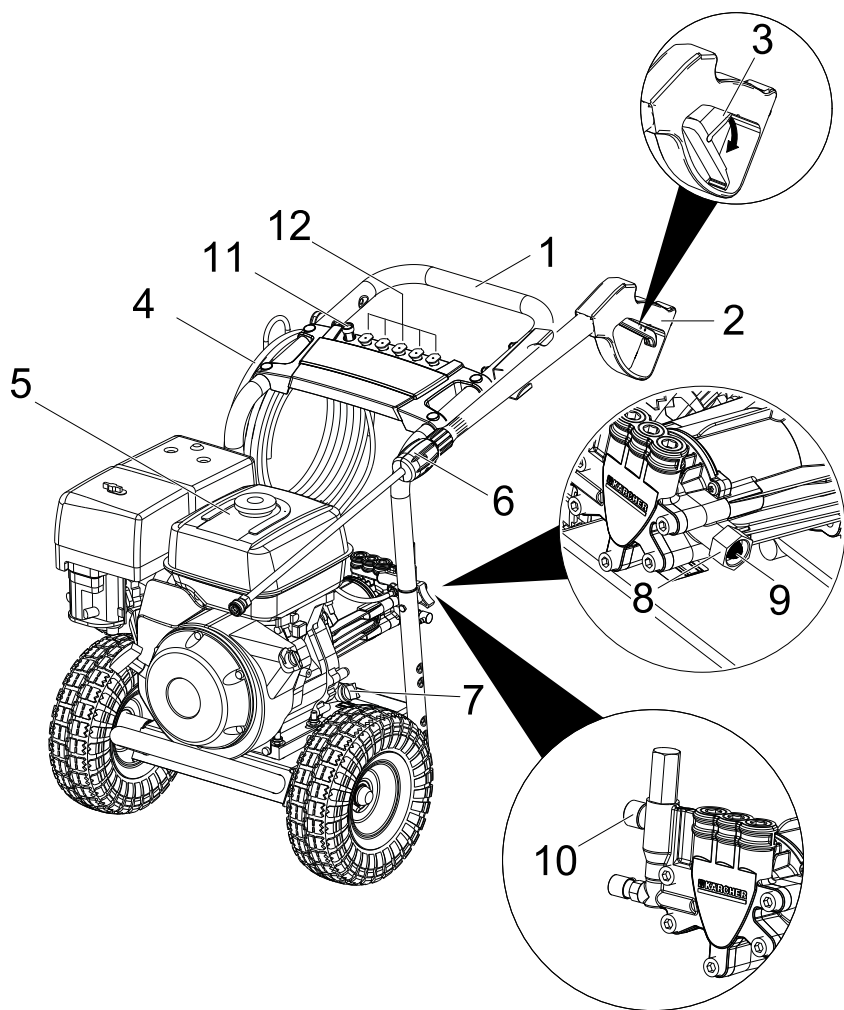
Manual not for use
in USA and Canada



Register and win!
www.kaercher.com



9.801-174.0 03/2012



Dear Customer,



Please read and comply with these original instructions prior to the initial operation of your appliance and store them for later use or subsequent owners.

Contents

Contents	3
General information	3
Safety instructions	4
Operation	6
Transport	12
Storage	12
Maintenance and care	13
Technical specifications	13
Troubleshooting	14

General information

Proper Use

This high-pressure cleaner is designed for domestic use only:

- to clean machines, vehicles, buildings, tools, facades, terraces, garden equipment etc. using a high-pressure water jet (and detergents if required).
- with accessories, replacement parts and detergents approved by KÄRCHER. Observe the instructions provided with these detergents.

Environmental protection



The packaging material can be recycled. Please do not place the packaging into the ordinary refuse for disposal, but arrange for the proper recycling.



Old appliances contain valuable materials that can be recycled.

— Please arrange for the proper recycling of old appliances. Please dis-

pose your old appliances using appropriate collection systems.

Notes about the ingredients (REACH)

You will find current information about the ingredients at:

www.kaercher.com/REACH

Warranty

The warranty terms published by the relevant sales company are applicable in each country. We will repair potential failures of your appliance within the warranty period free of charge, provided that such failure is caused by faulty material or defects in manufacturing. In the event of a warranty claim please contact your dealer or the nearest authorized Customer Service centre. Please submit the proof of purchase. (See address on the reverse)

Symbols in the operating instructions

Danger

Immediate danger that can cause severe injury or even death.

Warning

Possible hazardous situation that could lead to severe injury or even death.

Caution

Possible hazardous situation that could lead to mild injury to persons or damage to property.

Symbols on the machine



The high pressure jet may not be directed at persons, animals, live electrical equipment or at the appliance itself. Protect the appliance against frost.



Risk of burns on account of hot surfaces!



Risk of poisoning! Do not breathe in the exhaust fumes.

Safety instructions

⚠ Danger

- *The appliance may not be used in areas where a risk of explosion is present.*
- *If the appliance is used in hazardous areas (e.g. filling stations) the corresponding safety provisions must be observed.*
- *Ensure that there is adequate ventilation or provision for diverting the exhaust gas while operating the appliance in closed rooms (risk of poisoning).*
- *The appliance must not be used if the power cord or important parts of the appliance, e.g. safety devices, high-pressure hoses, spray guns, are damaged.*
- *Check the high-pressure hose for damage before every use. Please arrange for the immediate replacement of a damaged high-pressure hose.*
- *High-pressure jets can be dangerous if improperly used. The jet must not be directed at persons, animals, live electrical equipment or at the appliance itself.*
- *The high-pressure jet must not be directed at other persons or directed by the user at him/herself to clean clothing or footwear.*
- *Never use the appliance to clean objects containing hazardous substances (e.g. asbestos).*
- *Vehicle tyres or tyre valves are susceptible to damage from the high-pressure jet and may burst. The first indication of this is a discolouration of the tyre. Damaged vehicle tyres/ tyre valves are highly dangerous. Ensure that a distance of at least 30 cm is observed when cleaning with the jet!*
- *Never draw in fluids containing solvents or undiluted acids and solvents! This includes petrol, paint thinner and heating oil. The spray mist thus generated is highly inflammable, explosive and poisonous. Do not use acetone, undiluted acids and solvents as they are damaging to the materials from which the appliance is made.*
- *Only use the fuels specified in the Operating Manual. Risk of explosion due to the use of inappropriate fuels.*
- *Do not use high pressure cleaners when there has been an oil spill; move the appliance to another spot and avoid any sort of spark formation.*
- *Do not store, spill or use fuel in the vicinity of open flames or appliances such as ovens, boilers, water heaters, etc. that have an ignition flame or can generate sparks.*
- *Do not smoke or use open fire while filling and storing fuels.*
- *Do not overfill the tank. There must not be any fuel in the filling nozzle.*
- *Fuels may only be filled in a well-ventilated room and while the engine is switched off. Petrol is highly prone to fire hazards and is explosive under some circumstances. After filling, make sure that the lid on the fuel tank is closed properly.*



- *Avoid repeated or extended contact between fuel and your skin as well as breathing the vapors.*
- *Keep even mildly inflammable objects and materials away from the silencer (at least 2 m).*
- *Do not start the engine without the silencer; check, clean and replace, if required, the silencer at regular intervals.*
- *Do not use the engine in forest, bushes or grassy areas without fitting a spark receiver at the exhaust.*
- *Except for setting jobs, do not run the engine when the air filter is removed or there is no cover over the suction support.*
- *Do not make any adjustments to the regulator springs, regulator bars or other parts that can bring forth an increase in the engine speed.*
- *Risk of burns! Do not touch hot silencers, cylinders or radiator ribs.*
- *Do not put hands or feet close to moving or rotating parts.*

⚠ Warning

- *High-pressure hoses, fixtures and couplings are important for the safety of the appliance. Only use high-pressure hoses, fixtures and couplings recommended by the manufacturer.*
- *This appliance is not intended for use by persons with reduced physical, sensory or mental capabilities. The appliance must not be operated by children or persons who have not been instructed accordingly. Children should be supervised to prevent them from playing with the appliance.*
- *This appliance was designed to be used with detergents which are*

supplied or recommended by the manufacturer. The use of other detergents or chemicals may compromise the safety of the appliance.

- *The operator must use the appliance correctly. When working with the appliance, he must consider the local conditions and pay due care and attention to other persons, in particular children, who are nearby.*
- *Risk of hearing impairment. Always use proper ear-protection aids while working with the appliance.*
- *Do not use the appliance when there are other persons around unless they are also wearing safety equipment.*
- *Wear protective clothing and safety goggles to protect against splash back containing water or dirt.*
- *When operating the machine, do not place it in such a way that it can cause damage to persons, for e.g. on scaffoldings, etc.*
- *Long hours of using the appliance can cause circulation problems in the hands on account of vibrations.*

It is not possible to specify a generally valid operation time, since this depends on several factors:

- *Proneness to blood circulation deficiencies (cold, numb fingers).*
- *Low ambient temperature. Wear warm gloves to protect hands.*
- *Continuous operation is worse than an operation interrupted by pauses.*

In case of regular, long-term operation of the device and in case of repeated occurrence of the symptoms (e.g. cold, numb fingers) please consult a physician.

Caution

- *Observe a distance of at least 30 cm when using the jet to clean painted surfaces to avoid damaging paintwork.*
- *Never leave the appliance unattended when it is in operation.*
- *All current-conducting parts in the working area must be protected against jet water.*
- *Always use appropriate gloves while working on the device.*
- *Cleaning operations which produce oily waste water, e.g. engine washes, underbody washes, may only be carried out using washing stations equipped with an oil separator.*

Safety Devices

Caution

Safety devices protect the user and must not be modified or bypassed.

Lock trigger gun

This lock locks the lever of the trigger gun and prevents the inadvertent start of the appliance.

Thermo-valve at the pump

The thermostat valve prevents the pump from over-heating.

The circulation heats up the water. At 60 °C water temperature, the thermostat valve opens and lets out hot water.

Prerequisites for the appliance's stability

Caution

Create stability for the appliance prior to all work on or with the appliance to prevent accidents or damage.

- The stability of the appliance is warranted when it is placed onto an even surface.

Operation

Description of the Appliance

When unpacking the product, make sure that no accessories are missing and that none of the package contents have been damaged. If you detect any transport damages please contact your dealer.

Illustrations on Page 2

- 1 Handle
- 2 Trigger gun
- 3 Lock trigger gun
- 4 High pressure hose
- 5 Fuel tank
- 6 Spray lance
- 7 Oil dipstick
- 8 Water connection
- 9 Water inlet filter
- 10 High pressure connection
- 11 Detergent suction hose (with sieve)
- 12 Quick connect nozzles

For engine details see engine manual.

Special accessories

Special accessories expand the possibilities of using your appliance. Please contact your KÄRCHER dealer for further information.

Before Startup

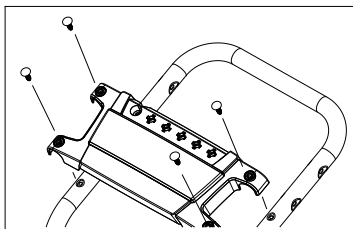
Mount loose parts delivered with appliance prior to start-up.

Illustrations on Page 2

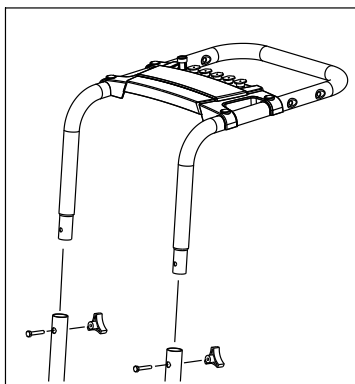
- Prior to initial startup, put engine oil (provided in bottle) in engine before starting the engine.

For engine details see engine manual.

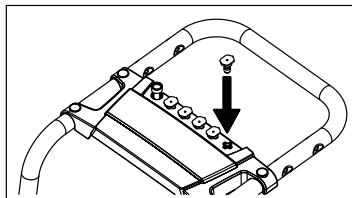
- Mount the nozzle holder with enclosed nylon rivets to the handle.



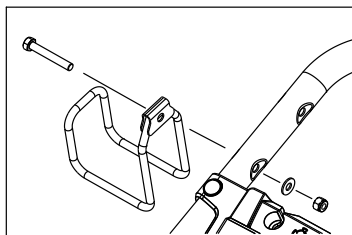
- Attach the handle to the frame of the pressure washer. Align holes, insert bolts, and tighten with knobs.



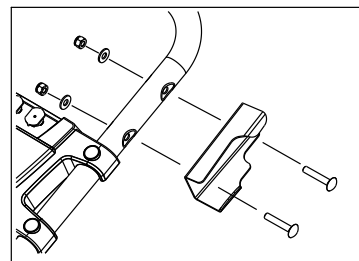
- Place the quick connect nozzles in the nozzle holder.



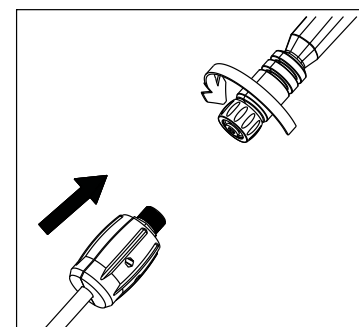
- Mount the hose hanger.



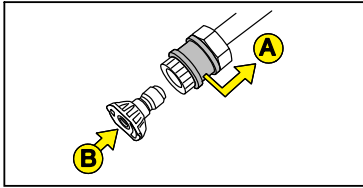
- Mount the gun holder.



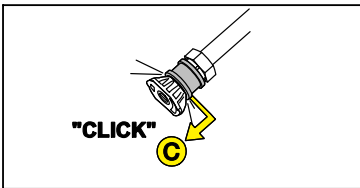
- Attach the wand to the trigger gun. (or remote pressure control for 1.194-801.0)



- Pull the spring-loaded collar of the wand back to insert your choice of quick connect nozzle.



- Release the collar and push the nozzle until the collar clicks.

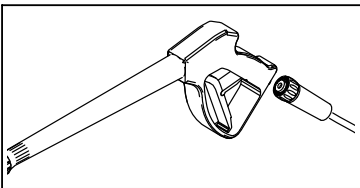


⚠ WARNING

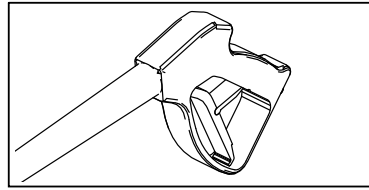
*High pressure in nozzle area.
Risk of injury caused by improperly locked nozzle.*

- Make sure you hear a 'click' when inserting the nozzle tip into the wand.
- Pull the nozzle to make sure it is seated properly before operating your unit.

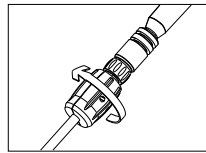
- Attach the high pressure hose to the trigger gun.



- Lock the safety lock.



- Adjust working pressure and water volume by turning the Remot Pressure Control either direction. Always return the control to the highest setting before shutting the pressure washer off.



Water supply

According to the applicable regulations, the appliance must never be used on the drinking water supply without a system separator. Use a suitable system separator manufactured by KÄRCHER; or, as an alternative, a system separator as per EN 12729 Type BA. Water flowing through a system separator is considered non-drinkable.



Caution

Always connect the system separator to the water supply, never directly to the appliance!

Water supply from mains

Observe regulations of water supplier. For connection values, see type plate/technical data.

- Use a fibre-reinforced water hose (not included) with a standard coupling. (Minimum diameter 3/4" (19 mm), minimum length 7.5 m).

Start up

Caution

Dry runs lasting longer than two minutes lead to damages to the high pressure pump. If the appliance does not build up pressure within two minutes, switch it off and proceed as instructed in the Chapter "Troubleshooting".

Caution

The appliance is delivered without engine oil. Please fill in engine oil before using the appliance for the first time. If you have further questions regarding the engine, please refer to the engine manual included with the unit.

- Check engine oil level. Oil level should be level with the bottom of the oil filler neck.
Be sure the machine is level when checking the oil level. (Refer to the engine's operating manual for seasonal grades.).

We recommend that the oil be changed after the first 5 hours of use, then once every 50 hours.

- Fill gas tank with unleaded gasoline.

Do not use leaded gasoline.

- Connect the high pressure hose to the unit's high pressure outlet.
- Connect garden hose to unit's water inlet.
- Connect garden hose to the cold water source and turn water on completely.
Do not use hot water.

Operation

⚠ **Danger**

The trigger gun is subjected to a recoil force when the water jet is discharged. Make sure that you have a firm footing and are also holding the trigger gun and spray lance firmly.

- Unlock the trigger gun safety lock.
Trigger the gun to eliminate trapped air, wait for a steady flow of water to emerge from the spray nozzle.

→ **Initial Start:**

Open fuel valve.
Set choke lever to the CLOSED position.

Starting a Warm engine:

If the engine has run out of fuel, set choke lever to the CLOSED position after refueling. If the engine has not run out of fuel, leave the choke lever in the OPEN position.

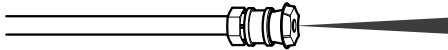
- Move the engine stop switch to the ON position.
For engine details see engine manual.
- Pull the starter handle.
If the engine fails to start after 3 pulls, squeeze the trigger gun to release pressure, and repeat step. After the engine warms up enough to run smoothly, move choke lever to OPEN position.

Quick connect nozzles

The color-coded quick connect nozzles provide a wide array of spray widths from 0° to 65° and are easily accessible when placed in the convenient nozzle holder.

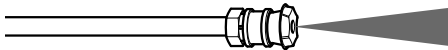
0° spray angle = Red nozzle

For particularly stubborn accumulation of grime. **Not recommended** for soft materials like sidings, decks, painted surfaces, cars.



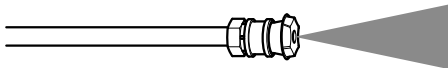
15° spray angle = yellow nozzle

For dirt accumulation over a surface.



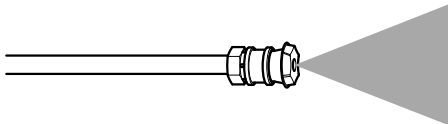
25° spray angle = Green nozzle

For dirt accumulation over a large surface.



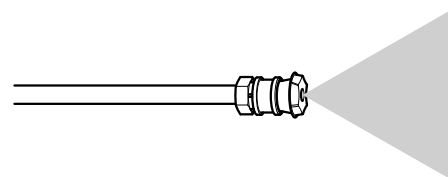
40° spray angle = White nozzle

For moderate dirt accumulation over a large surface.



65° spray angle = Black detergent nozzle

For operating with detergent or cleaning with low pressure.



⚠ WARNING

High pressure in nozzle area.

Risk of injury caused by improperly locked nozzle.

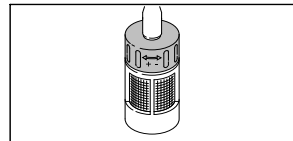
- Make sure you hear a 'click' when inserting the nozzle tip into the wand.
- Pull the nozzle to make sure it is seated properly before operating your unit.

Working with detergent

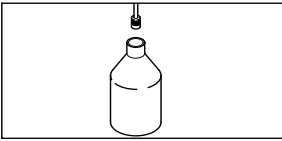
Please use exclusively KÄRCHER detergents and care products to carry out the respective cleaning task, as these were specifically developed for your appliance. The use of other detergents and care products may lead to premature wear and can invalidate your warranty claims. Please obtain information at your local dealer or request information directly from KÄRCHER.

Detergents can only be applied with the black detergent nozzle.

- Install the black detergent nozzle for detergent application (will work at low pressure only).
- Adjust the suction volume of the detergent solution at the detergent filter.
 - Medium quantity: Central position
 - Large quantity: "+" position
 - Small quantity: "-" position



- Fill a container with Kärcher detergent. Place the filter end of detergent suction tube into the container.



- With the engine running, pull trigger to operate unit.
- Liquid detergent is drawn into the unit and mixed with water. Apply detergent to work area. Do not allow detergent to dry on surface.
- **Always** draw fresh water through the detergent suction tube when the cleaning job is done, to rinse/flush any remaining detergents from the injection system.

Recommended cleaning method

- Spray the detergent sparingly on the dry surface and allow it to react, but not to dry.
- Spray off loosened dirt with the high-pressure jet.

Interrupting operation

- Release the lever on the trigger gun.

Note:When the lever of the hand spray gun is released, the engine continues to run at zero speed. The water thus circulates within the pump and gets heated. When the water has reached the maximum permissible temperature (60°C), the thermostat valve opens and water flows out.
 - Lock the lever on the trigger gun.
 - Insert the trigger gun in its holder.
- During longer breaks (more than 5 minutes), also turn off the motor.
- Move the engine stop switch to the OFF position.

For engine details see engine manual.

- Release trigger and engage gun safety lock.

Finish operation

Caution

Only separate the high-pressure hose from the trigger gun or the appliance while there is no pressure in the system.

- After working with detergent, suspend detergent suction hose in a container filled with clear water, switch the appliance on for around 1 minute once the spray lance has been removed and rinse until water runs clear.
- If you have regulate the Pressure Control, always return the control to the highest setting before shutting the pressure washer off.
- Move the engine stop switch to the OFF position.
- Close the fuel valve.
- Turn off the water source.
- Press trigger to release water pressure.
- Release trigger and engage gun safety lock.
- Disconnect the garden hose from the water inlet on the unit.
- Disconnect the high pressure hose from the high pressure outlet.

Transport

Caution

In order to prevent accidents or injuries, keep in mind the weight of the appliance during transport (see Specifications).

When transporting by hand

⚠ Warning

Fuel vapors or spilled fuel are flammable. Keep the appliance horizontal during transport to avoid spilling fuel.

- Pull the appliance by its transport handle.

When transporting in vehicles

- Empty fuel tank.
- Secure the appliance against shifting and tipping over.
- Only transport the appliance in an upright position.

Storage

Caution

In order to prevent accidents or injuries, keep in mind the weight of the appliance when selecting a storage location for it (see Specifications).

Storing the Appliance

- Park the machine on an even surface.
- Insert the trigger gun in its holder.
- Suspend the high-pressure hose into its holder.

Prior to extended storage periods, as during the winter, also observe the instructions in the Care section.

Frost protection

Caution

Protect the appliance and its accessories against frost.

The appliance and its accessories can get destroyed through frost if there are any water residues in them. To avoid damage to them:

- Completely drain all water from the appliance: Switch the appliance on with detached high-pressure hose and detached water supply (max. 1 minute) and wait, until no more water exits at the high-pressure connection. Turn off the appliance.
- Store the appliance and the entire accessories in a frost-safe room.

Maintenance and care

⚠ Warning

Prior to any care or maintenance work, switch the appliance off and let the engine cool off. In order to avoid an inadvertent startup of the engine, pull off the spark plug.

To avoid risks, all repairs and replacement of spare parts may only be carried out by the authorised customer service personnel.

Care

Prior to longer periods of storage, e.g. in the winter:

- ➔ Remove filter from suction hose for detergent and clean under running water.
- ➔ Pull out the sieve in the water connection using flat-nose pliers and clean under running water.

Adjust the air pressure in the tyres

- ➔ Set the pressure reducer on the compressor at 33 PSI (228 kPa) before correcting the tire pressure.
- ➔ Tire pressure should not exceed 33 PSI (228 kPa).

Pump maintenance

The pump is maintenance-free.

Engine maintenance

- ➔ Park the machine on an even surface.
- ➔ Carry out maintenance tasks to the motor according to the specifications provided in the operating instructions of the motor manufacturer.

Spare parts

Use only original KÄRCHER spare parts.

Technical specifications

Water connection		
Max. feed temperature	°C	40
Min. feed volume	l/min	16
Max. feed pressure	PSI (MPa)	174 (1,2)
Motor		
Type	Honda GX 390	
Cylinder capacity	cm ³	389
Motor; see operations instructions of the motor manufacturer		
Performance data		
Working pressure	PSI (MPa)	3625 (25)
Max. permissible pressure	PSI (MPa)	4000 (27,6)
Water flow rate	l/min	13,6
Detergent flow rate	l/min	0,3
Dimensions and weights		
Weight	kg	66
Tyre pressure (max.)	PSI (kPa)	33 (228)

Subject to technical modifications!

Troubleshooting

You can rectify minor faults yourself with the help of the following overview. If in doubt, please consult the authorized customer service.

Caution

Remove the spark plug cable to prevent accidental ignition of the engine before making any repair.

Symptom	Cause	Solution
Engine will not start	No gasoline	Fill gas tank
	Choke is not in the correct position.	Slide choke lever out to closed position.
	Water pressure built up in the machine.	Squeeze the trigger to release the pressure.
	For additional engine problems refer to the engine manual.	
Unit does not reach high pressure.	Diameter of garden hose is too small.	Replace with a larger garden hose.
	Water supply is restricted.	Check garden hose for kinks, leaks and blockage.
	Not enough inlet water supply.	Turn water on full force. Check garden hose for kinks, leaks or blockage.
	Water inlet filter is clogged.	Remove filter and rinse out in warm water.
	Black detergent nozzle is attached.	Remove black detergent nozzle and attach high pressure nozzle
	Remote Pressure Control regulator not in the highest setting.	Always return the control to the highest setting.
Output pressure varies high and low.	Not enough inlet water supply.	Turn water on full force. Check garden hose for kinks, leaks or blockage.
	Pump is sucking air.	Check that hoses and fittings are air tight. Turn off machine and purge pump by squeezing trigger gun until a steady flow of water emerges through the nozzle.
	Water inlet filter is clogged.	Remove filter and rinse out in warm water.
	Spray nozzle is obstructed.	Blow out or remove debris with a fine needle.
	Calcified gun, hose or spray wand.	Run distilled vinegar through detergent suction tube.

Symptom	Cause	Solution
No detergent.	Detergent suction tube not properly connected to the machine.	Check connection.
	Detergent is too thick.	Dilute detergent, for best results use Kärcher® detergent.
	Filter on detergent suction tube is clogged.	Run warm water through filter to remove debris.
	Detergent filter valve is at lowest setting.	Set detergent filter valve to a higher setting.
	Damaged or clogged detergent suction tube.	Remove obstruction or replace detergent suction tube.
	A high pressure nozzle is attached.	Replace with black detergent nozzle.
	Spray nozzle is obstructed.	Blow out or remove debris with fine needle.
Garden hose connection leaks.	Loose fittings.	Tighten fittings.
	Missing/worn rubber washer.	Insert new washer.
Spray wand leaks.	Spray wand not properly attached.	Turn the swivel nut of the gun clockwise until connection is tight.
	Broken o-ring or plastic insert.	Call Customer Support
Pump is noisy.	Pump is sucking air.	Check that hoses and fittings are air tight. Turn off machine and purge pump by squeezing trigger gun until a steady flow of water emerges through the nozzle.
Water leaks from pump (up to 10 drops per minute is permissible).	Loose fittings.	Tighten fittings.
	Water seals are damaged or worn.	Call Customer Support
	Thermal protection device is activated.	Thermal protection device will auto reset. Do not run pump for more than 5 minutes without spraying.
Oil Drip.	Oil seals are damaged or worn.	Call Customer Support

A
Alfred Kärcher Ges.m.b.H.
Lichtblaustraße 7
1220 Wien
☎ (01) 250 600

AUS
Kärcher Pty. Ltd.
40 Koornang Road
Scoresby VIC 3179
☎ (03) 9765 - 2300

B / LUX
Kärcher N.V.
Industrieweg 12
2320 Hoogstraten
☎ B: 0900 10027
LUX: 0032 900 10027

BR
Kärcher Indústria e Comércio Ltda.
Av. Prof. Benedito Montenegro 419
CEP 13.140-000 - Paulínia - SP
☎ 0800 176 111

CDN
Kärcher Canada Inc.
6975 Creditview Road Unit #2
Mississauga, Ontario L5N 8E9
☎ 1-800-465-4980

CH
Kärcher AG
Industriestraße 16
8108 Dällikon
☎ 0844 850 863

CZ
Kärcher spol s r.o.
Modletice č.p. 141
251 01 Říčany u Prahy
☎ 0323 606 014

D
Alfred Kärcher GmbH & Co. KG
Service-Center Gissigheim
Im Gewerbegebiet 2
97953 Königheim-Gissigheim
☎ (07195) 903 2065

DK
Kärcher Rengøringsystemer A/S
Gejlhøvegård 5
6000 Kolding
☎ 70 206 667

E
Kärcher S.A.
Pol. Industrial Font del Radium
Calle Doctor Trueta 6-7
08400 Granollers (Barcelona)
☎ 902 170 068

F
Kärcher S.A.S.
5 Avenue des Coquelicots
Z.A. des Petits Carreaux
94865 Bonneuil-sur-Marne
☎ (01) 43 996 770

FIN
Kärcher OY
Yrittäjätie 17
01800 Klaukkala
☎ 0207 413 600

GB
Kärcher(UK) Limited
Kärcher House
Beaumont Road
Banbury
Oxon, OX16 1TB
☎ 01295 752 200

GR
Kärcher Cleaning Systems A.E.
31-33, Nikitara str. &
Konstantinoupoleos str.
13671 Acharnes
☎ 210 - 2316 153

H
Kärcher Hungária Kft
Tormásrét ut. 2.
2051 Biatorbágy
☎ (023) 530 640

HK
Kärcher Limited
Unit 10, 17/F.
APEC Plaza
49 Hoi Yuen Road
Kwun Tong, Kowloon
☎ (02) 357-5863

I
Kärcher S.p.A.
Via A.Vespucci 19
21013 Gallarate (VA)
☎ 848 - 99 88 77

IRL
Kärcher Ltd
C1 Centrepoint Business Park
Oak Road
Dublin 12
☎ (01) 409 7777

KOR
Kärcher (Korea) Co. Ltd.
162 Gukhoe-daero
(872-2 Sinjeong-Dong)
Seoul, Korea
☎ 02-322-6588, A/S.1544-6577

MAL
Kärcher Cleaning Systems Sdn. Bhd.
No. 8, Jalan Serindit 2
Bandar Puchong Jaya
47100 Puchong, Selangor
☎ (03) 5882 1148

MEX
Kärcher México, SA de CV
Av. Gustavo Baz No. 29-C
Col. Naucalpan Centro
Naucalpan, Edo. de México
C.P. 53000 México
☎ 01 800 024 13 13

N
Kärcher AS
Stanseveien 31
0976 Oslo
☎ 24 17 77 00

NL
Kärcher BV
Postbus 474
4870 AL Etten-Leur
☎ 0900-33 444 33

NZ
Kärcher Limited
12 Ron Driver Place
East Tamaki, Auckland
☎ (09) 274-4603

P
NEOPARTS II - Equipamentos, S.A.
Av. Infante D. Henrique, Lote 35
1800-218 Lisboa
☎ 21 8558300

PL
Kärcher Sp. z o.o.
Ul. Stawowa 140
31-346 Kraków
☎ (012) 6397-222

PRC
Kärcher Cleaning Systems Co., Ltd.
Part B, Building 30,
No. 390 Ai Du Road
Shanghai Waigaoqiao 200131
☎ (021) 5046-3579

RO
Kärcher Romania s.r.l.
Sos. Odaii Nr. 439
013606 București
☎ 0372 709 001

RUS
ООО «Керхер», ул.
Электрoзаводская, д.27,
стр.2, 107023 Москва
☎ (495) 228 39 45

S
Kärcher AB
Tagenevägen 31
42502 Hisings-Kärä
☎ (031) 577-300

SGP
Kärcher Asia Pacific Pte. Ltd.
5 Toh Guan Road East
#01-00 Freight Links
Express Distripark
Singapore 608831
☎ 6897-1811

SK
Kärcher Slovakia, s.r.o.
Beniakova 2
94901 Nitra
☎ 037 6555 798

TR
Kärcher Servis Ticaret A.S.
Mahmutbey Mahallesi İstoc
Petrol Plaza C-Blok Kat: 2-3
Bağcılar / 34218 İSTANBUL
☎ 0212 659 43 69

TWN
Kärcher Limited
5F/6. No.7, Wu-Chuan 1st Rd
Wu-Ku Industrial Zone
Taipei County
☎ (02) 2299-9626

UA
Kärcher Ukraine
Kilzeva doroga, 9
03191, Kyiv
☎ (044) 594 75 75

UAE
Kärcher FZE
P.O. Box 17416
Jebel Ali Free Zone
Dubai, U.A.E.
☎ (04) 886 1177

USA
Alfred Kärcher, Inc
1270 Satellite Blvd
Suite 350
Duluth, GA 30097
☎ 678-935-4545; 877-527-2437

ZA
Kärcher (Pty.) Limited
144 Kuschké Street
Meadowdale
Edenvale 1614
☎ (011) 574-5360



www.kärcher.com