

## **Operating Instructions**

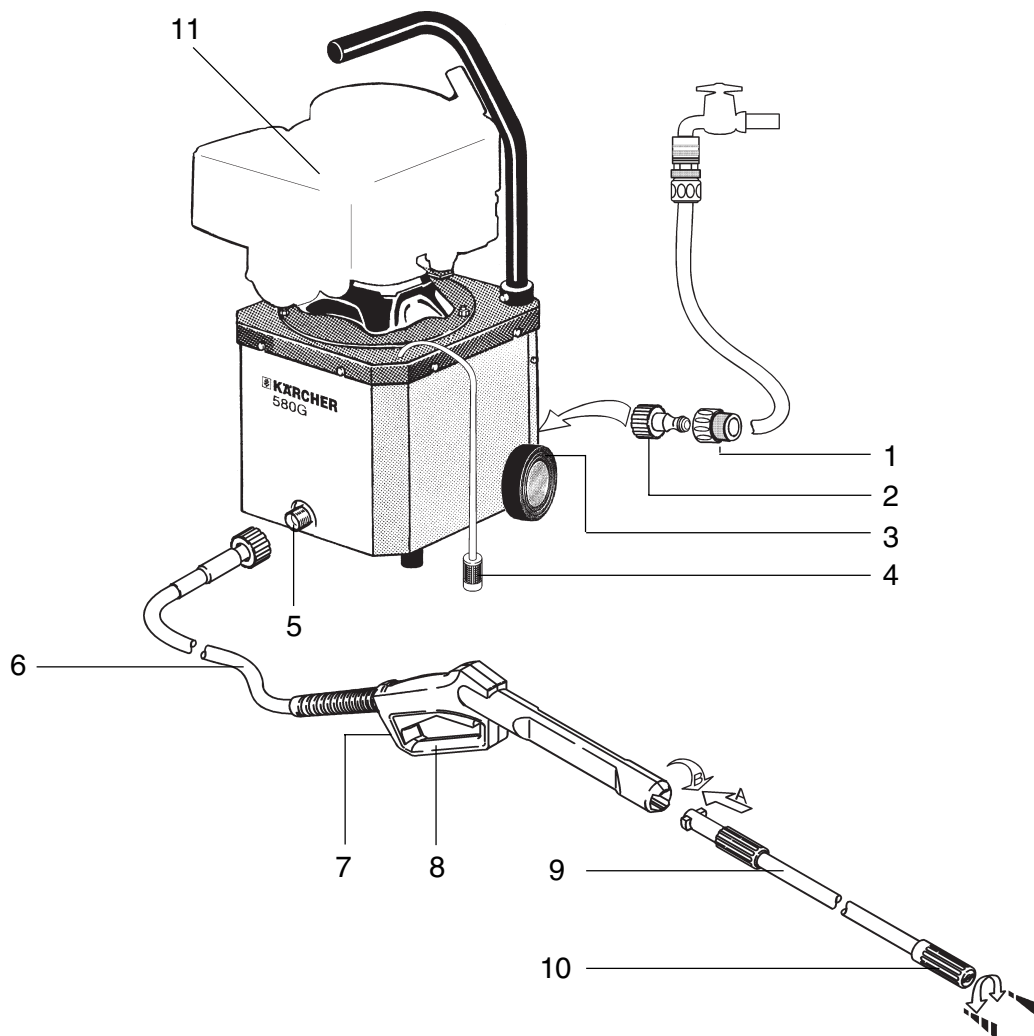
# **KÄRCHER 580 GM**

1.961-806

Please read these operating instructions before starting and strictly observe the safety measures.

5.956-024  
01.94

## 1. Diagram of the appliance



## 2. Operating controls

- |   |                                    |    |                |
|---|------------------------------------|----|----------------|
| 1 | Quick coupler female               | 7  | Safety ratchet |
| 2 | Quick coupler male                 | 8  | Hand gun       |
| 3 | Water connection with strainer     | 9  | Spray lance    |
| 4 | Detergent suction hose with filter | 10 | Two-way nozzle |
| 5 | High-pressure outlet               | 11 | Engine         |
| 6 | High-pressure hose                 |    |                |

### 3. Technical Data

#### Engine performance data

BRIGGS & STRATTON,

Single cylinder, 4-stroke

Displacement .....	9.0 cu. in
Fuel consumption .....	0.25 gal./h.
Rated power .....	3.75 HP
Fuel tank capacity .....	1 quart
Fuel .....	Regular unleaded

#### Water connection

Supply temperature (max.) .....	140 °F
Supply flow rate (min.) .....	2.5 g.p.m.
Supply hose	
– Length (min.) .....	24 ft
– Diameter (min.) .....	1/2 in
Suction height from an open tank at a water temp. of 20°C/68°F .....	3 ft

#### Pump performance data

Working pressure .....	1350 p.s.i.
Maximum pressure .....	1500 p.s.i.
Flow rate .....	1.9 g.p.m.
Detergent intake .....	0.12 g.p.m.
Recoil force of the hand gun at working pressure .....	17 Newton

#### Dimensions

Length .....	14 2/3 in
Width .....	10 2/3 in
Height .....	21 1/2 in
Weight without accessories .....	35 lb

## 4. Start-up

---

### Unpacking the appliance

- Please contact your dealer immediately if you discover damage has been caused during transportation.

### Fitting the accessories

- Press the spray lance into the hand gun against the spring tension and turn it as far as the stop.
- The spray lance must lock into position.
- Screw quick coupler male to the water inlet connection.
- Screw quick coupler female to your garden hose.
- Tighten all union nuts hand-tight.

### Engine

- Before starting the engine, read the operating instructions of the engine manufacturer, paying particular attention to the safety instructions.

### Water connection

- See Technical Data for connection values (see chapter 3).
- Attach water supply hose to the appliance and water main.  
Water supply hose does not form part of standard delivery.
- Before drawing water from an open container, remove the coupler and screw a suction hose with filter (order no. 4.440-238) onto the water feed connection and place the end of the hose in the water that is to be drawn in.
- Set the engine control to "SLOW" and allow the pump to operate without the high-pressure hose until water appears at the high-pressure outlet without any more bubbles. Then re-attach the high-pressure hose and set the engine control to "FAST".



- *Never draw in water from a drinking water tank.*
- *Never draw in liquids which contain solvents, e.g. paint thinners, petrol, oil and unfiltered water. The seals in the appliance are not resistant to solvents. The aerosol from solvents is highly flammable, explosive and toxic!*

## 4. Start-up

### Intended use

- Use the appliance to clean machines, vehicles, buildings, tools, etc.
- Clean facades, patios, garden implements, etc. with the high-pressure spray only, i.e. without detergent. We recommend the dirt blaster, a special accessory, for stubborn dirt.
- Engines must only be cleaned in places which have appropriate oil traps (protection of the environment).
- If the machine is used at petrol stations or in other hazardous areas, the appropriate safety regulations must be observed.



- *Do not operate the high-pressure cleaner if fuel has been spilled, but move the machine to another location without creating any sparks.*
- *Do not store, spill or use fuel near an open fire or appliances such as cookers, heating boilers, water heaters, etc. which have a pilot light or which are able to generate sparks.*
- *Keep inflammable objects and materials away from the silencer (at least 2 m).*
- *Do not run the engine without a silencer; check and clean the silencer regularly and replace if necessary.*
- *Do not run this engine in areas where there are trees, bushes or grass, without first fitting a spark arrester to the exhaust.*
- *Except when carrying out adjustments, do not run the engine if the air filter has been removed or if the cover is not over the intake pipe.*
- *Do not re-adjust the control springs, control linkages or other components which can increase the engine speed.*
- *Do not touch the silencer, cylinder or cooling fins. Danger of burns!*
- *Keep hands and feet away from moving and rotating parts.*
- *Never operate the appliance in enclosed spaces.*

**DANGER OF POISONING!**

## 5. Operation

### Ventilating the appliance

- Open the water intake.
- Start the engine according to the operating instructions of the engine manufacturer.
- Allow the appliance to run without the high-pressure hose until the water emerges without bubbles.
- Then connect the high-pressure hose.

### Two-way nozzle

- It is possible to work with a high-pressure or a low-pressure jet.
- Changing the jet form is only possible with the hand gun closed.
  - Release trigger.
  - Turn changeover nozzle 90° to alter pressure of the water jet.



- The symbol of the chosen jet form is on the upper side of the changeover nozzle.



*Detergents can only be syphoned at low pressure.*



- *Ensure that the appliance is situated on firm ground.*
- *The water jet emerging from the high-pressure nozzle causes the gun to recoil. An angular spray lance will also cause a torque. Therefore, grip the spray lance and gun firmly.*
- *Never direct the water jet at people, animals, the appliance or electrical components.*
- *The high-pressure cleaner must not be operated by children (danger of accidents caused by improper use of the appliance).*
- *Vehicle tyres/tyre valves may only be cleaned at a minimum distance of 20 ft. Otherwise the vehicle tyres/tyre valve may be damaged by the high-pressure jet. The first indication of damage is discolouration of the tyre. Damaged vehicle tyres can be highly dangerous.*
- *Materials containing asbestos and other substances which are detrimental to health must not be sprayed down.*
- *Suitable protective clothing should be worn to protect the operator from back-spray.*
- *Always ensure that all connecting hoses are securely screwed on.*
- *The gun trigger must not be clamped when operating the appliance.*

### Pressure and flow regulation


- The water flow and pressure can be easily adjusted by setting the engine control to “SLOW” or “FAST”.

---

## 5. Operation

---

### Operating with detergent

- Hang the detergent suction hose in a tank containing detergent.
- Set the nozzle to " ".
- The cleaning agent dosage is set to 5%. Other concentrations can be achieved by diluting the cleaning agent with water.
- In order to protect the environment, we recommend that detergent is used sparingly. Comply with the metering recommendation on the detergent container label.
- We offer an individual range of detergents and preservatives and therefore guarantee trouble-free operation. Please ask for advice, or request our catalogue or detergent information leaflets. Only those detergents may be used which have been authorized by the manufacturer of the appliance. Unsuitable detergents can damage the appliance and the object which is to be cleaned.
- We recommend the following cleaning method:

Step 1: Loosening the dirt  
Spray on detergent sparingly and allow to react for 1-5 minutes.

Step 2: Removing the dirt  
Spray off the dissolved dirt with the high-pressure jet.
- The appliance should be rinsed clean after detergent has been used. To do this, suspend the detergent suction hose in a container of clean water, and run the pump for approx. 1 minute.

### Interrupting operation

- If you release the trigger on the hand gun, the appliance continues running.
- When the hand gun is closed, do not allow the appliance to operate for more than 10 minutes. Otherwise, the pump may be damaged due to overheating.

### After use

- After operating with saline water (sea water), the appliance should be rinsed thoroughly for at least 2-3 minutes, keeping the hand gun open.
- Set the engine control to "STOP".
- Shut off the water supply and unscrew the water supply hose from the appliance.
- Pull the trigger of the hand gun until the appliance is depressurized.
- Lock the trigger of the hand-held gun with the safety ratchet to avert accidental starting

## 6. Care and maintenance

---

- You can arrange a regular safety inspection with your dealer or take out a maintenance contract. Please ask for advice.

### High-pressure pump

- Clean the strainer in the water connection every month.
- Clean the filter on the detergent suction hose as required.

### Engine

- Carry out maintenance work on the engine according to the operating instructions of the engine manufacturer.

### High-pressure hose

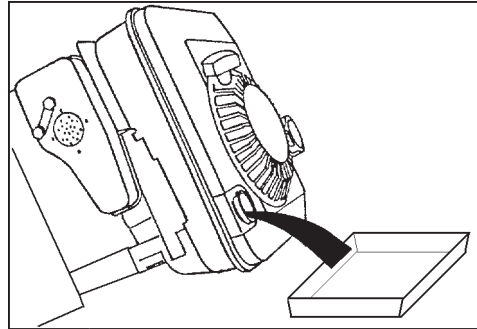
- The high-pressure hose must not be damaged (danger of bursting). A damaged high-pressure hose must be replaced immediately

### Protection from frost

- Frost will damage the appliance if it is not drained completely of water. In winter the appliance should be kept in a room which is above freezing point. Otherwise, it is recommended to drain the appliance or rinse it thoroughly with anti-freeze.
- Draining the appliance
  - Unscrew the water intake hose and high-pressure hose from the appliance.
  - Allow the appliance to run for a max. of 1 minute until the pump and the lines have drained.
- Anti-freeze  
During extended down-time periods, it is recommended to pump an anti-freeze through the appliance. This also protects the appliance to a certain degree from corrosion.

### Oil Change

- Change oil while engine is warm.
- Remove oil dipstick.
- Drain oil completely through the oil fill.



- Place unit level.
- Clean area around the oil fill.
- Pour oil slowly. (Refill with new oil of proper grade.)
- Fill to "FULL" mark on dipstick.
- **DO NOT overfill.**
- Replace dipstick.

### Oil Recommendations:

See operating instructions of the engine.



---


## 7. Troubleshooting

---

### Appliance will not run

- Carry out trouble-shooting according to the operating instructions of the engine manufacturer.
- Contact customer service if necessary.


### Appliance does not come up to pressure

- Adjustments may only be carried out by customer service.
- Set the nozzle to “”.
- Clean/replace the nozzle.
- Vent the appliance (see chap. 5).
- Clean the strainer in the water connection.
- Check the water intake volume (see technical data, chap. 3).
- Check all the supply lines to the pump for leaks and blockages.

### Pump leaks

- 3 drops per minute are permissible. You should contact customer service if the leakage is more rapid.

### Detergent is not being drawn in

- Set the nozzle to “”.
- Clean the detergent suction hose and filter.
- Check all the detergent hoses and connections for leaks.

## **8. General Information**

---

### **Safety devices**

#### Overflow Valve

When the hand-held gun is closed the over-flow valve opens and the high-pressure pump sends the water back to the suction side of the pump. This prevents the permitted working pressure from being exceeded.

The overflow valve is leaded. Its setting should not be altered.

### **Accessories**

Incorrect, unsuitable or defective accessories affect the function of the appliance.

Their use is dangerous.

Only original accessories should therefore be used. Please ask your dealer for advice.

### **Spare parts**

Please bear in mind that the use of other than genuine spare parts can lead to faults and also to serious accidents or result in hazardous operation of the appliance, if these parts are not properly manufactured or if they do not exactly replace the part that was faulty.

Only original spare parts should therefore be used. A selection of spare parts which are in greatest demand can be found at the end of the operating instructions.

### **Guarantee**

In each country the terms of guarantee are those issued by the company responsible for the area concerned. We repair any defects free of charge which occur during the period of guarantee, provided they can be shown to have been caused by material or manufacturing faults.

The guarantee only becomes effective when the dealer has completed, stamped and signed the reply card which is included with every cleaner and when you have sent the card to the company responsible for the country.

In the event of a guarantee claim, please contact your dealer or the nearest sales office with accessories or proof of purchase.